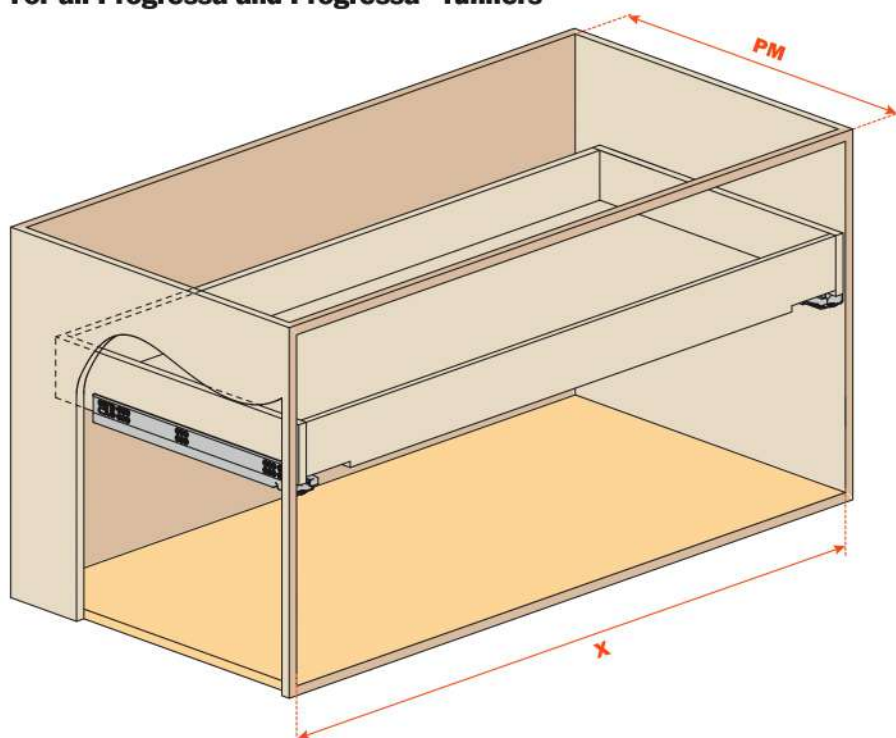


Drawer dimensions and drilling

For all Progressa and Progressa+ runners

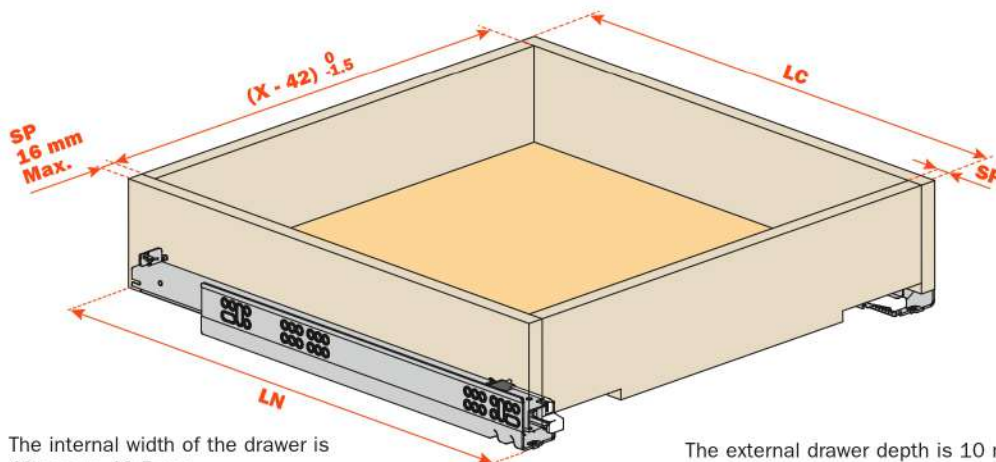


RUNNER LENGTH (LN)	External DRAWER DEPTH (LC)
250 mm	240 mm
300 mm	290 mm
350 mm	340 mm
400 mm	390 mm
450 mm	440 mm
500 mm	490 mm
550 mm	540 mm
600 mm	590 mm
650 mm	640 mm
700 mm	690 mm
750 mm	740 mm

Abbreviations

- SP** = Drawer thickness
- LC** = Drawer depth
- PM** = Cabinet depth
- X** = Cabinet internal width
- LN** = Nominal runner length

Full-extension runner for **13 mm to 16 mm drawer material thickness**



The internal width of the drawer is 42 mm to 43.5 mm less than the internal width of the cabinet

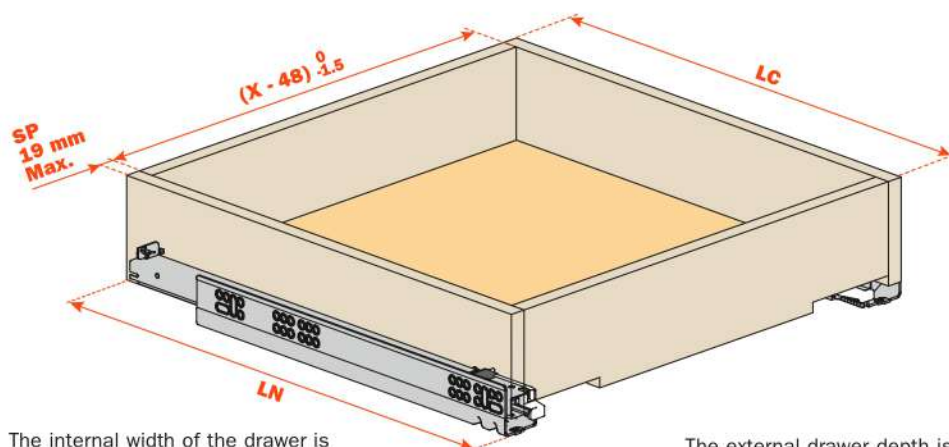
The external drawer depth is 10 mm less than the runner length

For drawer sides with sub-fronts between 12 and 13 mm, we recommend the use of the build-up spacer **AFSFXB**.

See page 70 for specs.

SP = Drawer thickness

Full-extension runner for **18-19 mm drawer material thickness**



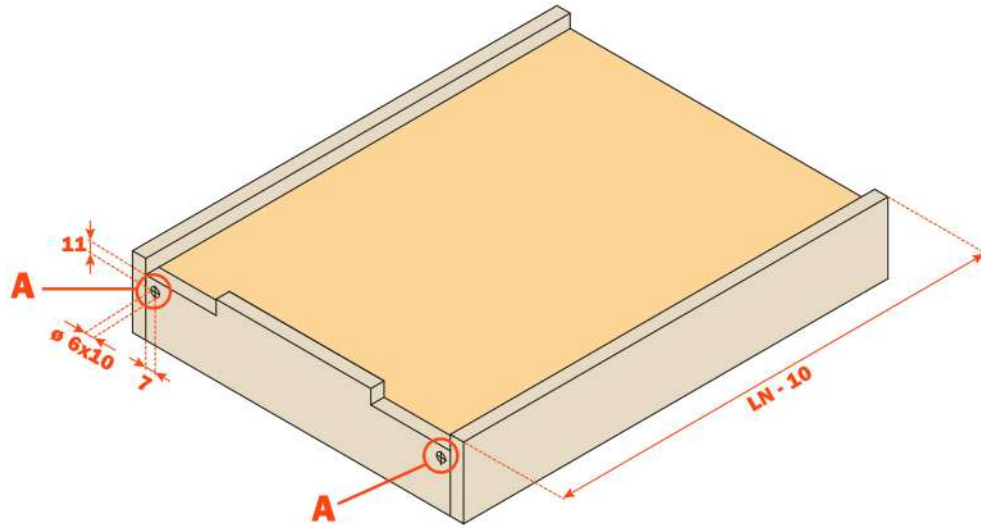
The internal width of the drawer is 48 mm to 49.5 mm less than the internal width of the cabinet

The external drawer depth is 10 mm less than the runner length

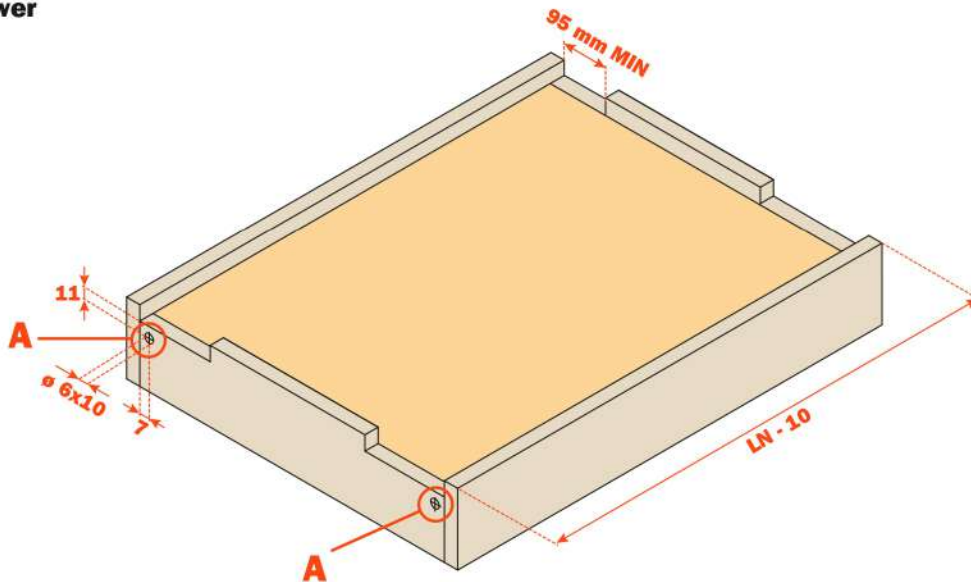
Drawer drilling

For all Progressa and Progressa+ runners

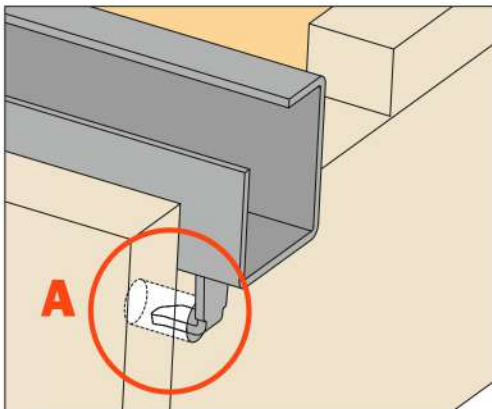
3-SIDED drawer



4-SIDED drawer

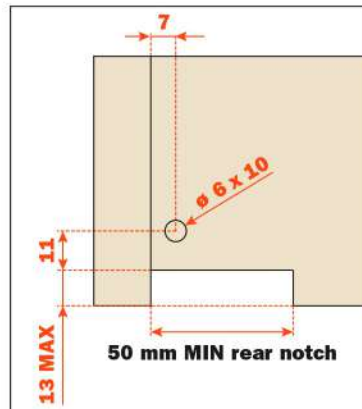


REAR HOOK

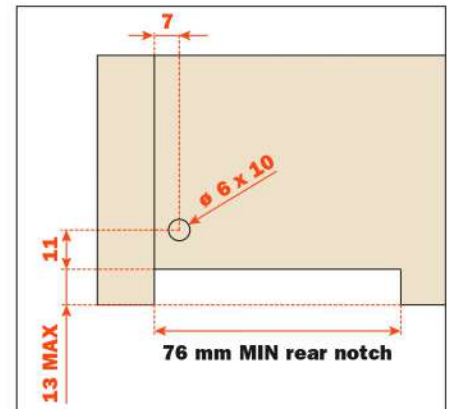


Use **drilling templates** for rear hook, see page 65 and 67.

REAR NOTCH with Smove and Push runners



REAR NOTCH with Push Synchronizer and tilt adjustment lever

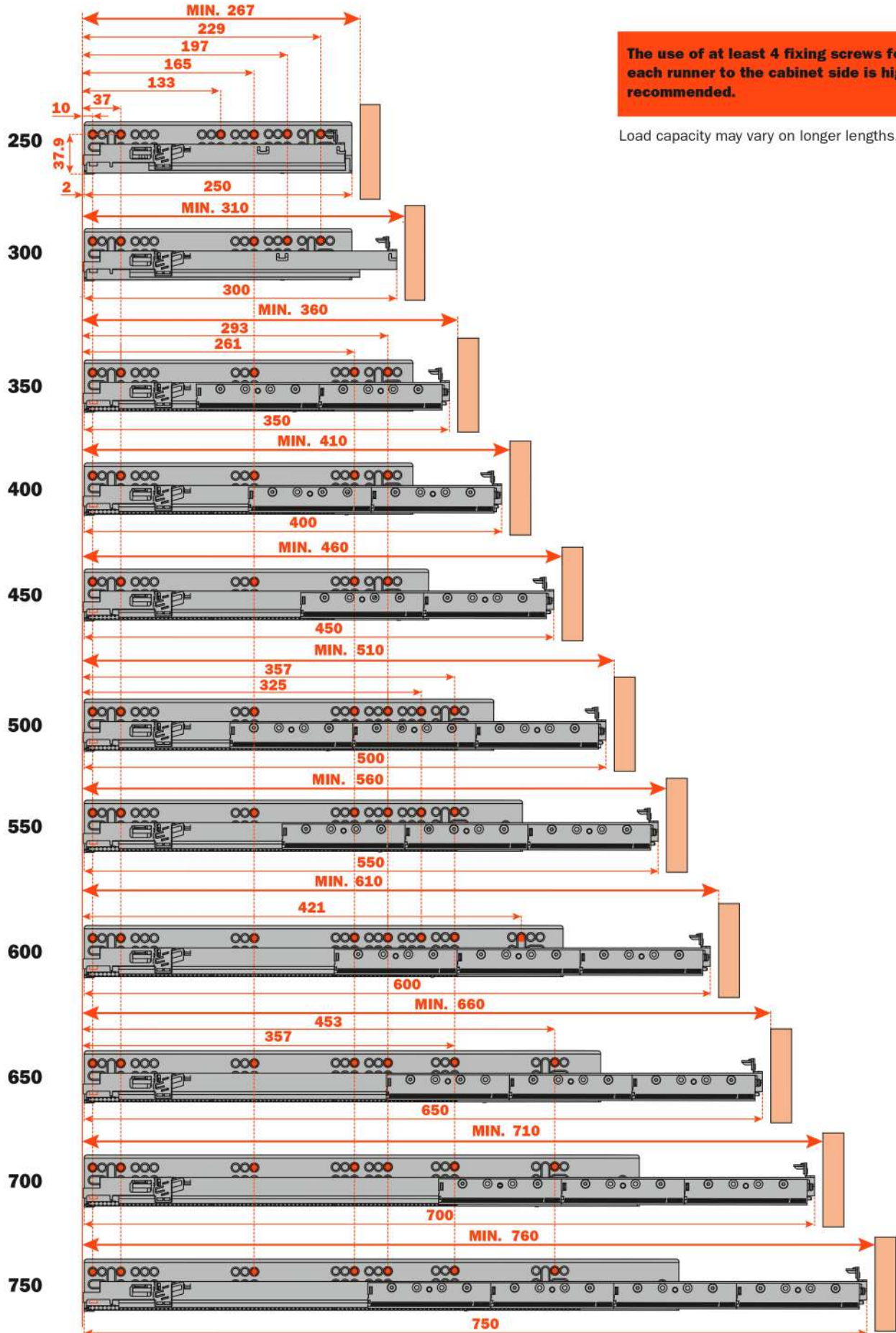


Progressa Push Synchronizer, see page 62.
AGLRXX3F Tilt adjustment lever, see page 70.

Drilling positions for runner on cabinet side

For all Progressa and Progressa+ runners

Please refer to the specific product pages in this catalog for all technical data



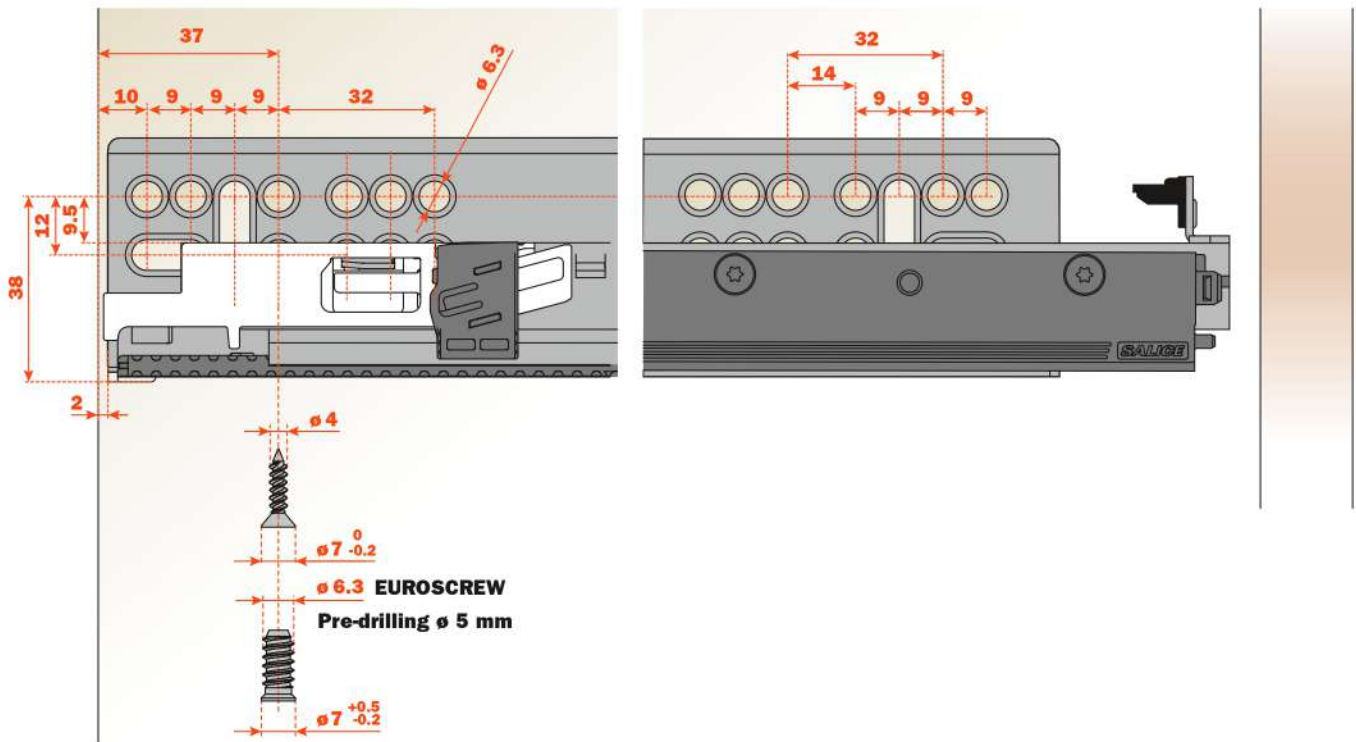
The use of at least 4 fixing screws for each runner to the cabinet side is highly recommended.

Load capacity may vary on longer lengths.

Runner installation

For all Progressa and Progressa+ runners

Mounting full-extension runner on the cabinet side



Screws, see page 72.

If runners are mounted before the assembly of the cabinet, we recommend that the inset position of the runner be increased from 38 to 39 mm to accommodate the manufacturing tolerances in the cabinet and the runner.

The oval slots on the runners enable a depth adjustment of +/- 4.5 mm and a height adjustment of +/- 6 mm to be made.

These adjustments are in addition to those incorporated in the fixing clips and in the runner (**Adjustments**, see page 23).

