



**Exedra**

***SALICE***

## Exedra

**Pocket door system with cam-assisted door extraction and cushioned door insertion.**

### Doors characteristics

Max. weight for each door : 30 kg (distributed evenly).

Thickness from 18 mm to 30 mm.

Width from 400 mm to 900 mm.

Height from 1333 mm to 1575 mm (consult our technical support department for the verification).

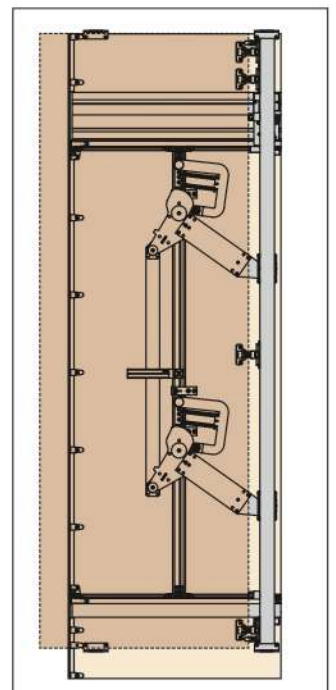
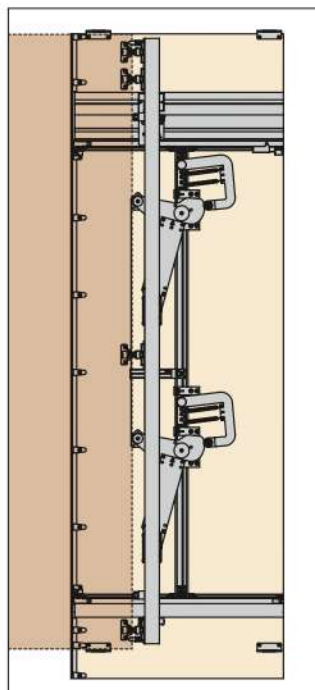
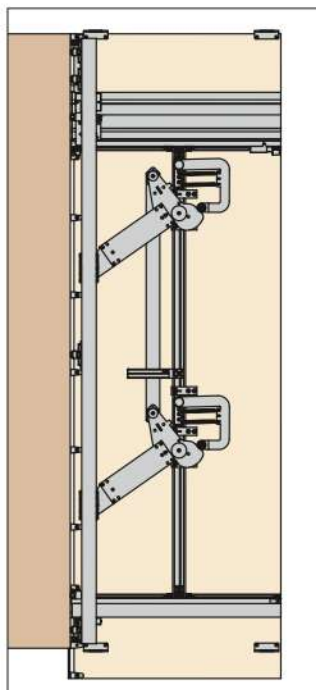
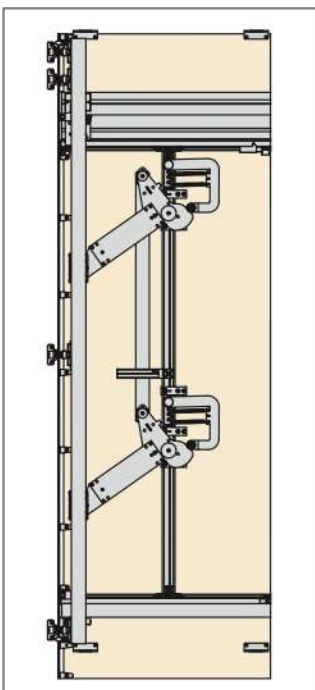
Height from 1576 mm to 2530 mm.

Door adjustment:

- vertical adjustment +4/-1 mm;
- horizontal adjustment  $\pm 2$  mm;
- front adjustment  $\pm 4$  mm.



Mechanism movement as the door leaves the recess.



1 Cam-assisted door insertion and extraction movement.

2 Magnetic buffer for soft insertion.

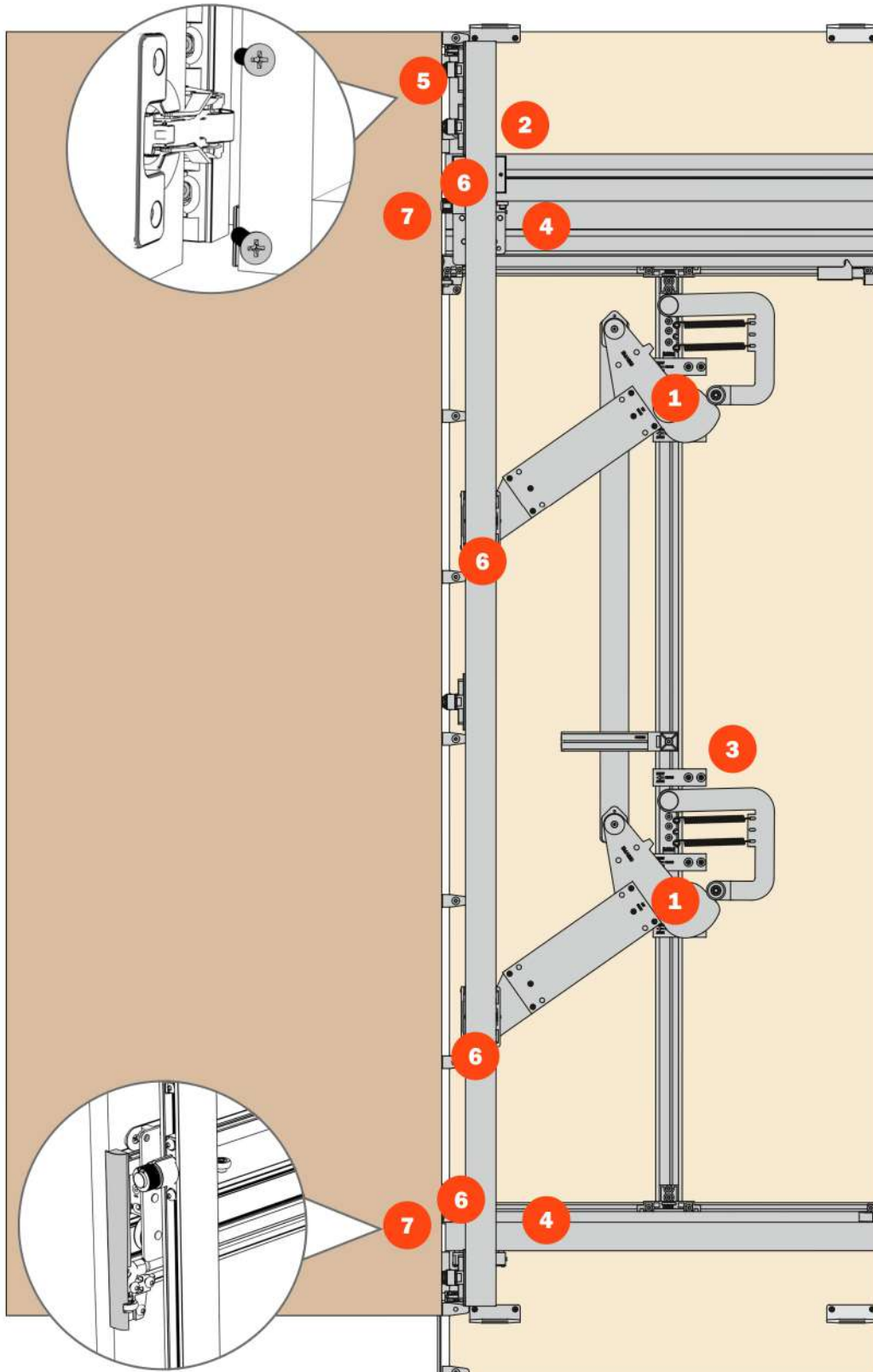
3 Slide-in installation to facilitate installation and removal of the mechanism from the front.

4 Sliding carriage.

5 Quick coupling hinges.

6 All adjustments are accessible from the front of the cabinet.

7 Profile cover caps (included in the standard versions).



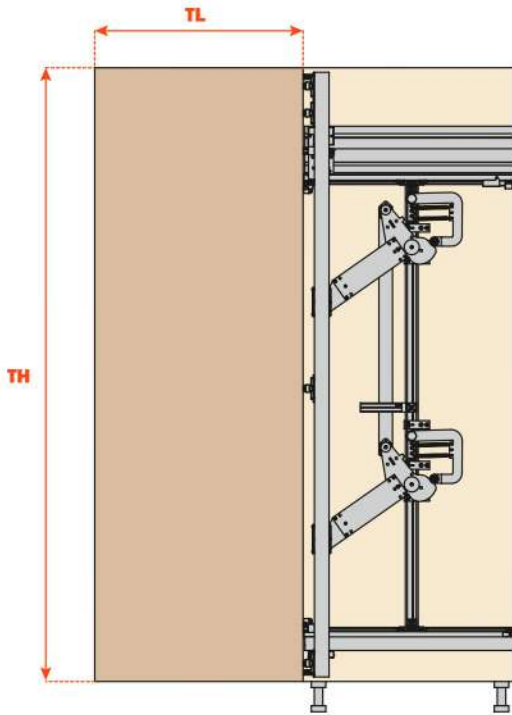
**Exedra - Calculation for door protrusion from front of cabinet**

**Abbreviations**

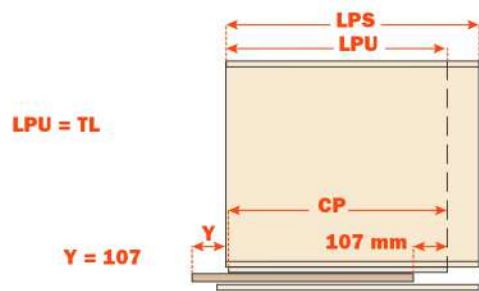
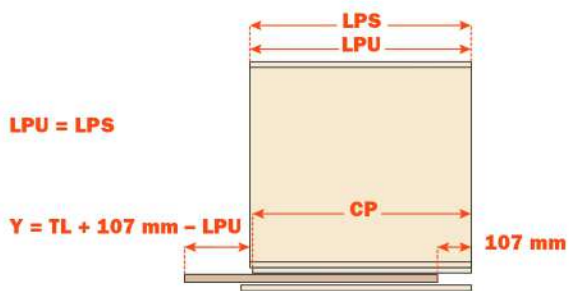
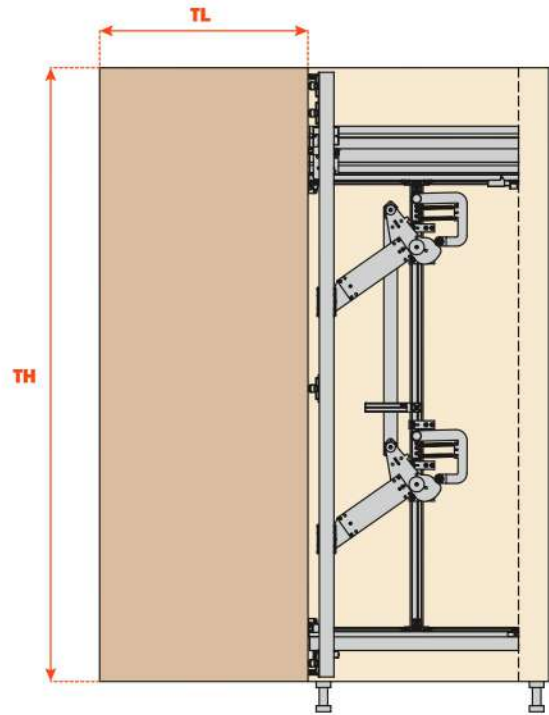
**LPS** Total external depth of the cabinet  
**LPU** Usable external depth of the cabinet  
**TL** Door width

**TH** Door height  
**CP** Profile length  
**Y** Door protrusion

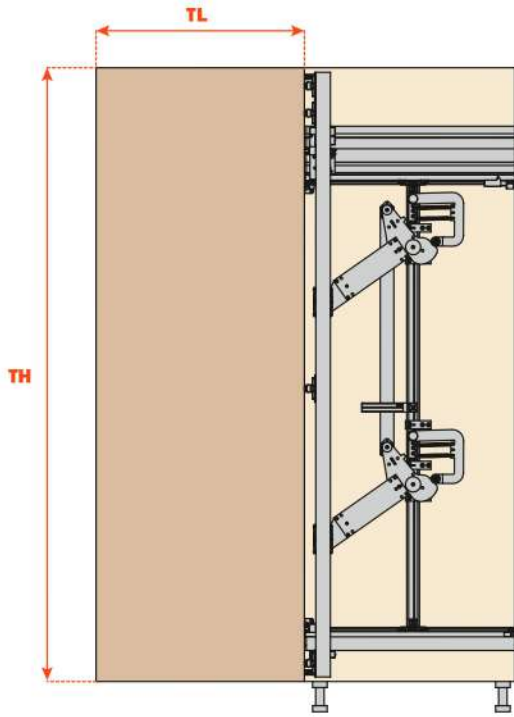
**LPS < TL**



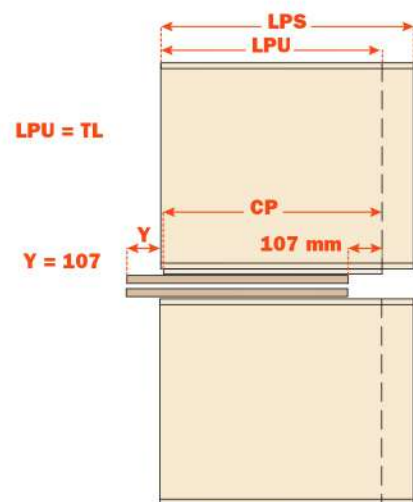
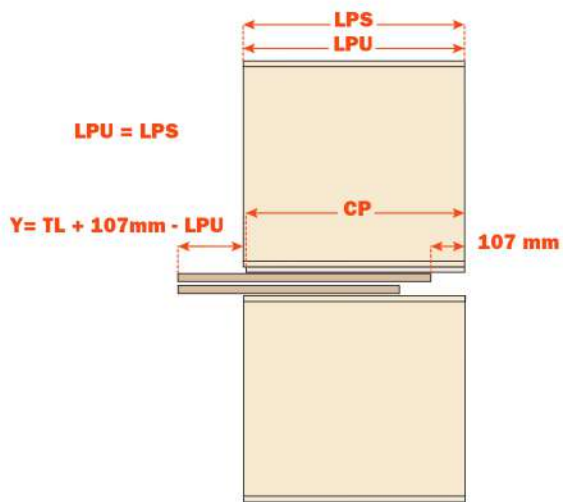
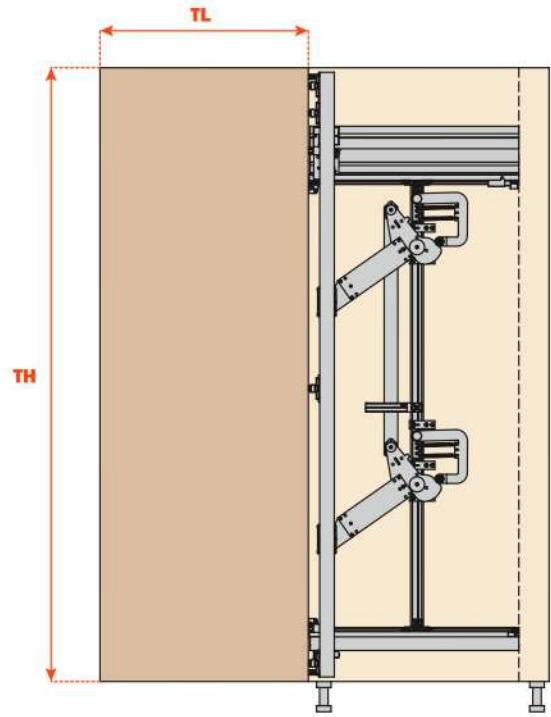
**LPS ≥ TL**

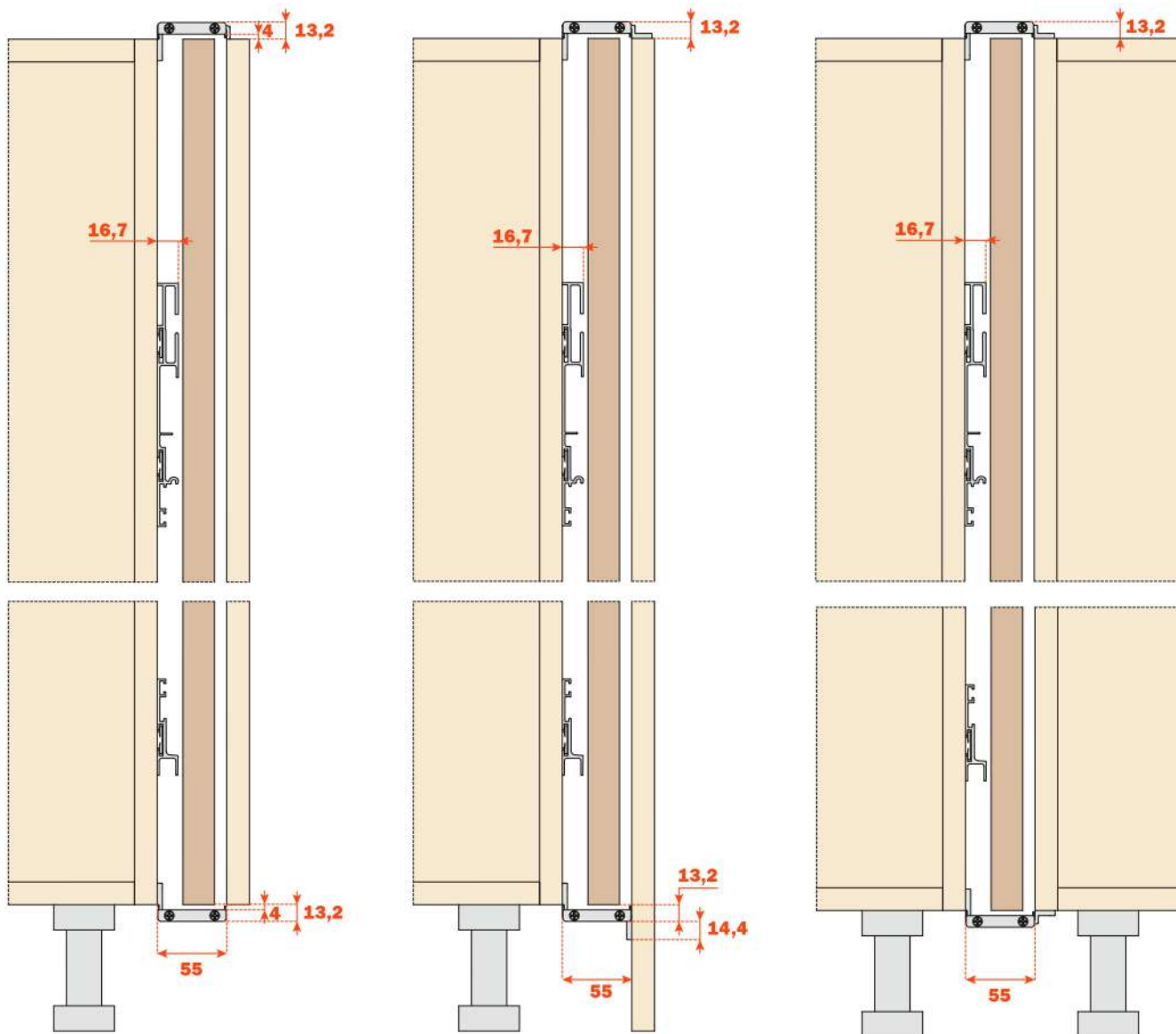


**LPS < TL**

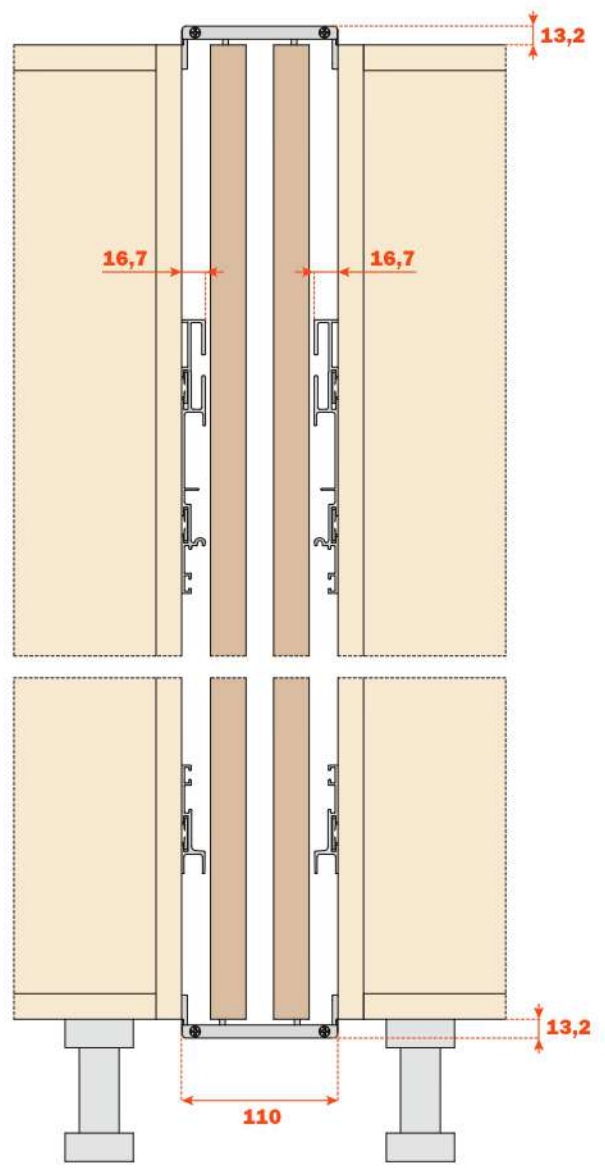
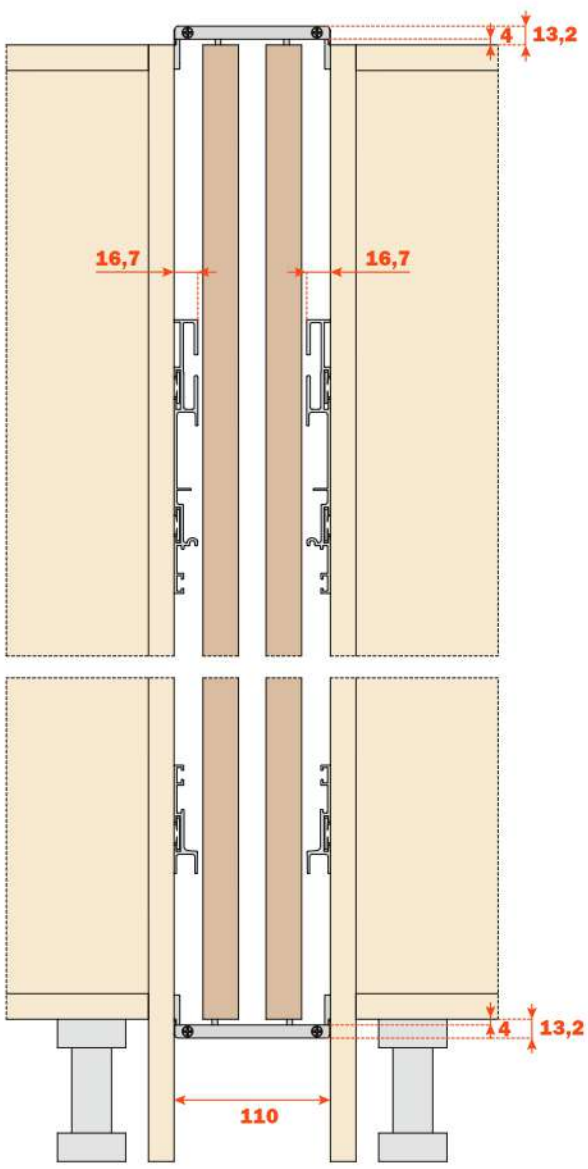


**LPS ≥ TL**

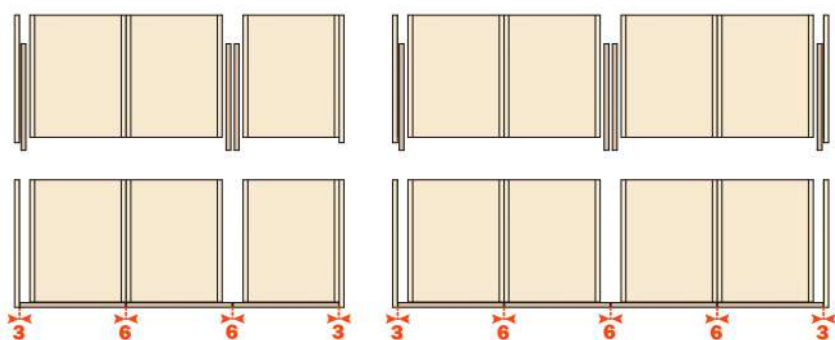
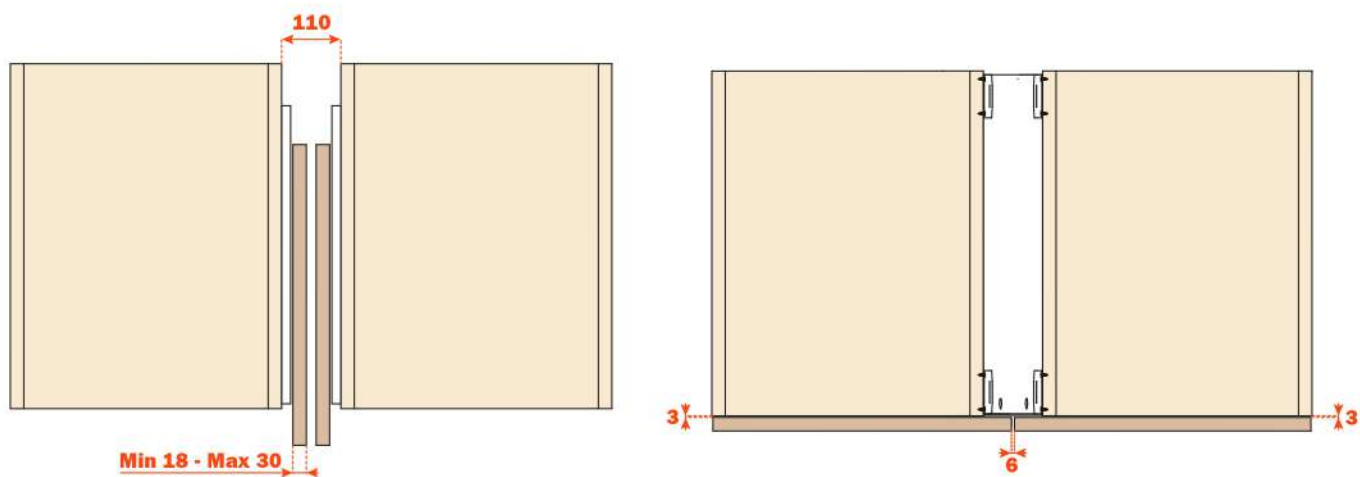
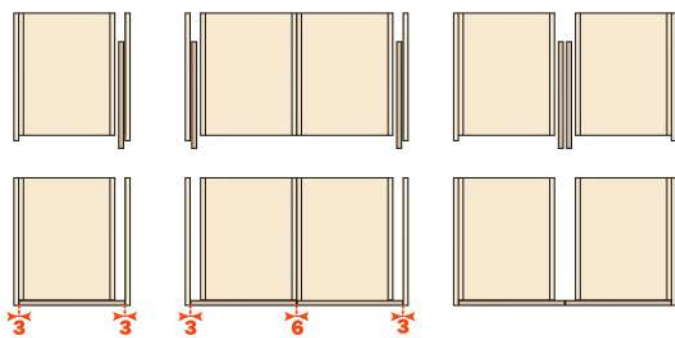
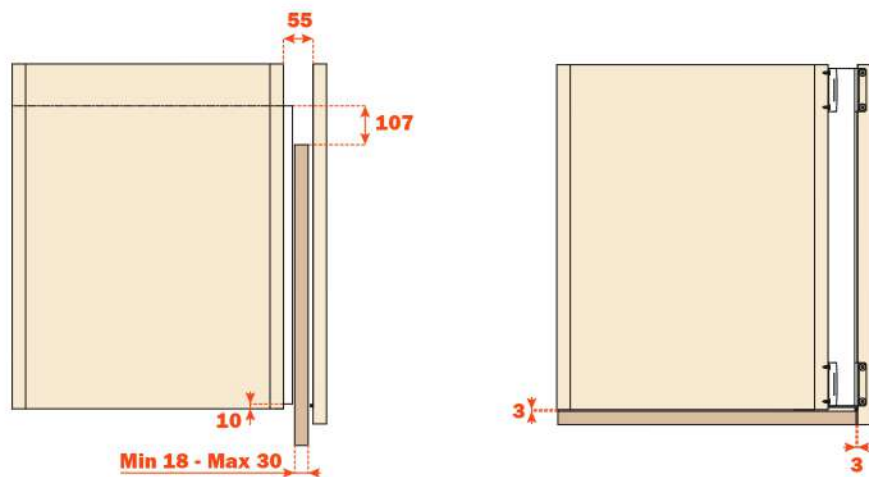


**Exedra - Types of assembly - 1 door**

# Types of assembly - 2 doors



**Exedra**



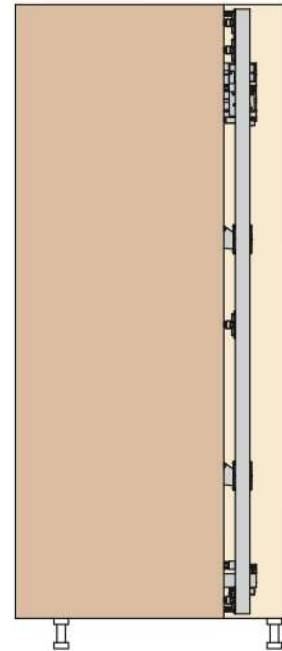
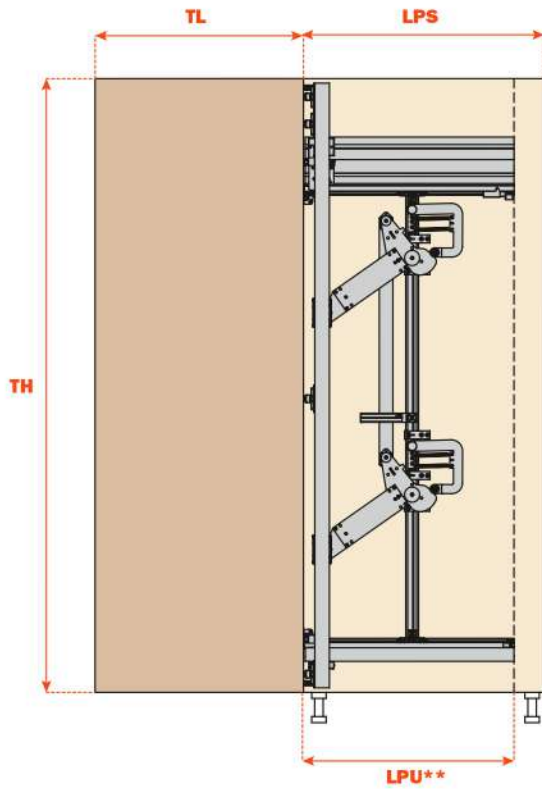


## Calculating the LPU value - Selecting the CAM connectors

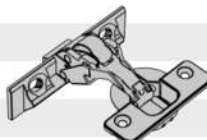
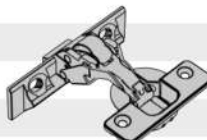
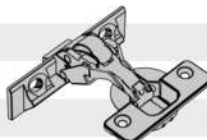
LPS (Cabinet depth)  $\geq$  TL



LPU (Usable cabinet depth) = TL



		LPU** (mm)									
		400-500		501-600		601-700		701-800		801-900	
CAM		VE55KIT0101		VE55KIT0102		VE55KIT0103		VE55KIT0104		VE55KIT0105	
		Min	Max	Min	Max	Min	Max	Min	Max	Min	Max
TH (mm)	1576	1726	1698	1787	1820	1909					
	1727	2121	1788	2182	1910	2243	2032	2304	2154	2365	
	2122	2530	2183	2530	2244	2530	2305	2530	2366	2530	

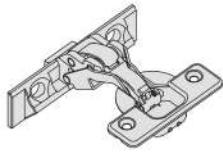
→ 3 x  max 18 kg  
→ 4 x  max 24 kg  
→ 5 x  max 30 kg

## Exedra - Standard

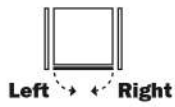
This solution offers a great deal of flexibility to the customer. The customer cuts the profile sections to their desired length and fixes together its individual components. A cam-carriage connection must be ordered together with the mechanism kit according to the usable structure depth (LPU) and the door height (TH). Refer to the installation manual for the cutting and assembly operations.

The locating clips and positioning stops ensure a fast and secure assembly and removal from the cabinet without the need to access the side of the cabinet.


### Calculation of the min. structure dimensions





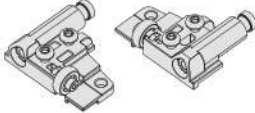




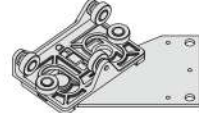

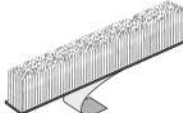

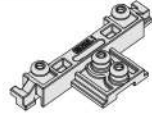

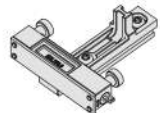


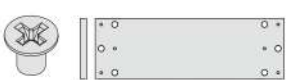





Usable structure depth (LPU - mm)													
		400 - 500		501 - 600		601 - 700		701 - 800		801 - 900			
Door height TH (mm)	Min	Max	Min	Max	Min	Max	Min	Max	Min	Max			
	1576	1726	1698	1787	1820	1909					3 x		max 18 kg
	1727	2121	1788	2182	1910	2243	2032	2304	2154	2365	4 x		max 24 kg
	2122	2530	2183	2530	2244	2530	2305	2530	2366	2530	5 x		max 30 kg

### Mechanism kit – STANDARD

Part number		Door height TH (mm)
<b>YE55BAD1900NN</b>	Right	1576 - 1900
<b>YE55BAS1900NN</b>	Left	
<b>YE55BAD2500NN</b>	Right	1576 - 2530
<b>YE55BAS2500NN</b>	Left	

### Cam-carriage connection

	Part number	Usable structure depth (LPU - mm)
	<b>YE55KIT0101</b>	400-500
	<b>YE55KIT0102</b>	501-600
	<b>YE55KIT0103</b>	601-700
	<b>YE55KIT0104</b>	701-800
	<b>YE55KIT0105</b>	801-900

	<b>n° 9</b> Locating clips <b>n° 18</b> Euroscrews 6.3 x 14		<b>n° 5</b> Positioning stops <b>n° 10</b> Screws 6.3 x 14
	<b>n° 2</b> Threaded inserts M6 x 13 <b>n° 2</b> Screws M6 20 UNI 7380 <b>n° 1</b> Allen key		<b>n° 4/5</b> Hinges for the fixing of the door <b>n° 4/5</b> Flange covers <b>n° 8/10</b> Screws for the fixing of the hinges to the system M5 x 20 UNI 7688 <b>n° 8/10</b> Screws for the fixing of the hinges to the door 4 x 16 DIN 7505 A
	<b>n° 1 + n° 1</b> Door extraction dampers		<b>n° 4/5</b> Mounting plates
	<b>n° 1</b> Upper front cover		<b>n° 1</b> Mechanism connecting support profile
	<b>n° 1</b> Lower front cover		<b>n° 2</b> Vertical carriages
	<b>n° 2</b> Spare springs		<b>2.5 mt</b> Dust protection brush
	<b>n° 2</b> Door positioning supports		<b>n° 2</b> Central profile connectors
	<b>n° 1</b> Upper horizontal carriage		<b>n° 1</b> Lower horizontal carriage
	<b>n° 1</b> Door insertion stopper		<b>n° 2</b> Door extraction and insertion mechanisms
	<b>n° 12</b> fixing screws for connection plates (screws M4 x UNI) <b>n° 2</b> Cam connection plates		<b>n° 1</b> Spacers
	<b>n° 1</b> Magnetic buffer for soft insertion	<b>n° 1</b> Central profile	
	<b>n° 1</b> Upper track	<b>n° 1</b> Mechanism profile connecting	
	<b>n° 1</b> Lower track	<b>n° 1</b> Rear bumper	
	<b>n° 1</b> Door fixing profile		


## Exedra - Partially assembled

### Partially-assembled systems.

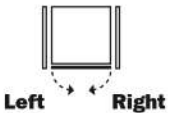
The partly-assembled Exedra system can be supplied in two versions: for doors with height from 1930 to 2230 mm or from 2231 to 2530 mm. Depth between 500 and 700 mm. After the identification of the version, the customer must cut to size the upper and the lower tracks, assemble the cams and install everything on the cabinet.



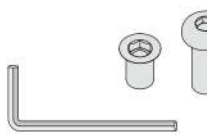

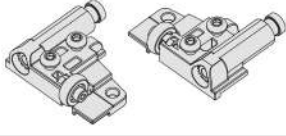

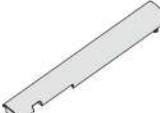
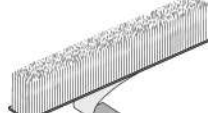

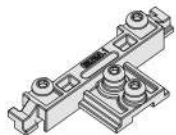

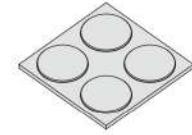



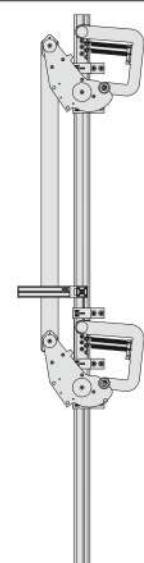



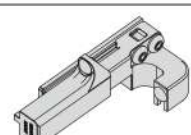
The locating clips and positioning stops ensure a fast and secure assembly and removal from the cabinet without the need to access the side of the cabinet.

### Calculation of the min. structure dimensions

Usable structure depth (LPU - mm)									
		501 - 600		601 - 700					
Door height TH (mm)	Min	Max	Min	Max					
	1930	2230	1930	2230	4 x		max 24 kg		
	2231	2530	2231	2530	5 x		max 30 kg		

### Mechanism kit – STANDARD PARTIALLY ASSEMBLED

Part number		Usable structure depth (LPU - mm)	Door height TH (mm)
YE55BMD2200NN	Right	500 - 700	1930 - 2230
YE55BMS2200NN	Left		
YE55BMD2500NN	Right	500 - 700	2231 - 2530
YE55BMS2500NN	Left		






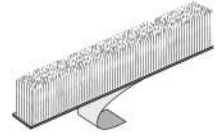



	<b>n° 9</b> Locating clips <b>n° 18</b> Euroscrews 6.3 x 14		<b>n° 5</b> Positioning stops <b>n° 10</b> Screws 6.3 x 14
	<b>n° 2</b> Threaded inserts M6 x 13 <b>n° 2</b> Screws M6 20 UNI 7380 <b>n° 1</b> Allen key		<b>n° 4/5</b> Hinges for the fixing of the door <b>n° 4/5</b> Flange covers <b>n° 8/10</b> Screws for the fixing of the hinges to the system M5 x 20 UNI 7688 <b>n° 8/10</b> Screws for the fixing of the hinges to the door 4 x 16 DIN 7505 A
	<b>n° 1 + n° 1</b> Door extraction dampers		<b>n° 1</b> Door insertion stopper
	<b>n° 1</b> Upper front cover		<b>2.5 mt</b> Dust protection brush
	<b>n° 1</b> Lower front cover		<b>n° 2</b> Central profile connectors
	<b>n° 2</b> Spare springs		<b>N° 1</b> Spacers
	<b>n° 12</b> Fixing screws for connection plates (screws M4 x UNI)		<b>n° 2</b> Cam connection plates
	<b>n° 1</b> Magnetic buffer for soft insertion		
	<b>n° 1</b> Upper track		
	<b>n° 1</b> Lower track		
	<b>n° 1</b> Rear bumper		

**Exedra - Customised**

**Fully assembled solution according to customer requirements.**

The Exedra system is produced according to the dimensional specifications provided by the customer. The customer only has to assemble the system on the cabinet with the provided drilling patterns.

The locating clips and positioning stops ensure a fast and secure assembly and removal from the cabinet without the need to access the side of the cabinet.

	n° 9 Locating clips n° 18 Euroscrews 6.3 x 14		n° 5 Positioning stops n° 10 Screws 6.3 x 14
	n° 2 Threaded inserts M6 x 13 n° 2 Screws M6 20 UNI 7380 n° 1 Allen key		n° 4/5 Hinges for the fixing of the door n° 4/5 Flange covers n° 8/10 Screws for the fixing of the hinges to the system M5 x 20 UNI 7688 n° 8/10 Screws for the fixing of the hinges to the door 4 x 16 DIN 7505 A
	n° 1 Upper front cover		2.5 mt Dust protection brush
	n° 1 Lower front cover		n° 1 Spacers
	n° 2 Spare springs		

**Information required to order a made-to-measure Exedra mechanism.**

