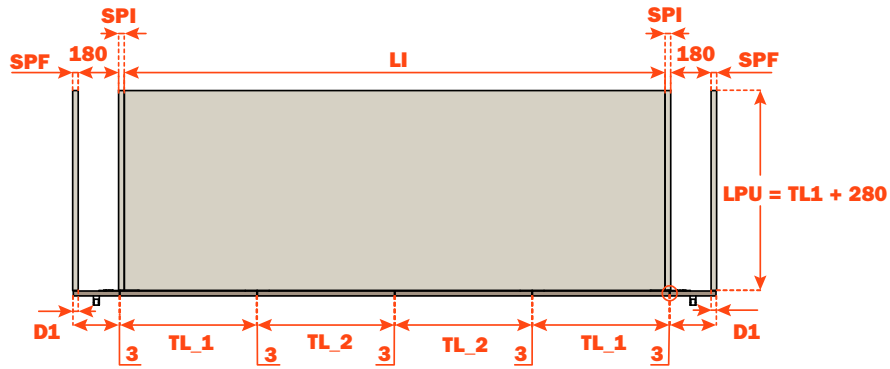
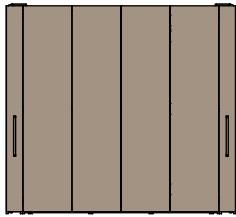
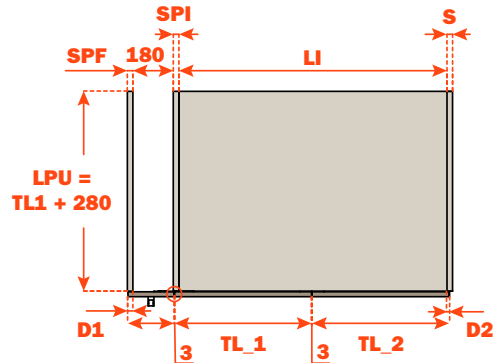
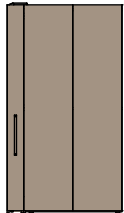


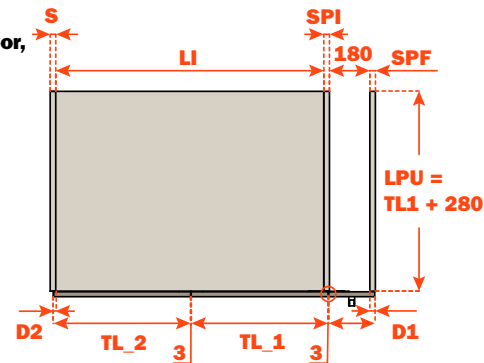
Two doors, left + right



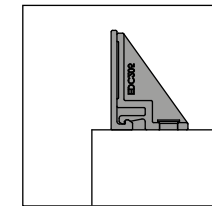
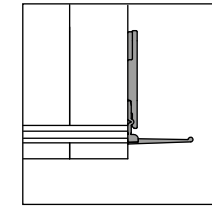
Single door, left



Single door, right



Front and side cover finish

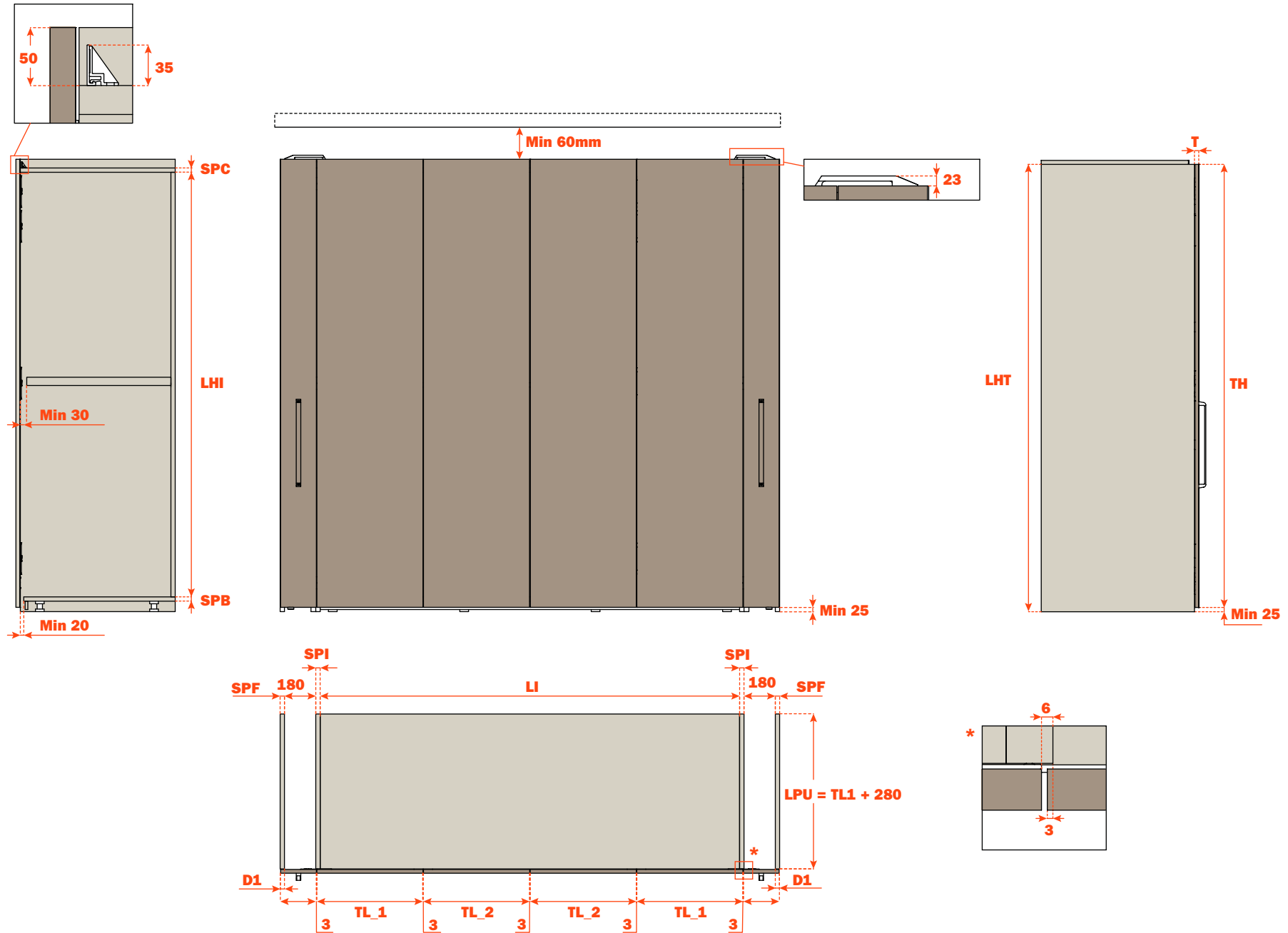


Maximum weight of both doors, recess cover panel and handle 50 Kg

LHT	Total height of cabinet (mm)	
SPC	Thickness of top panel (mm)	
LHI	Internal height of cabinet (mm)	
SPB	Thickness of bottom panel (mm)	
LI	Total internal width of cabinet (mm)	
S	Thickness of side panel (mm)	
SPI	Thickness of central panel (mm)	
TH	Height of door (mm) • max 2600 mm	
TL1	Width of internal door • min 450 mm - max 750 mm	
TL2	Width of external door • min 450 mm - max TL1 + 90 mm	
T	Thickness of door (mm) • min 18 mm - max 25 mm	
D1	Coverage on side cover (mm)	
D2	Coverage on side panel - only for single mechanism (mm)	
LPU	Usable external depth of cabinet • min = TL1 + 280 mm	
	Presence of side cover	
SPF	Thickness of side cover (mm)	

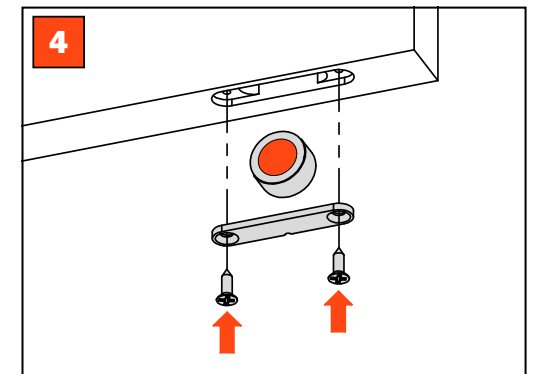
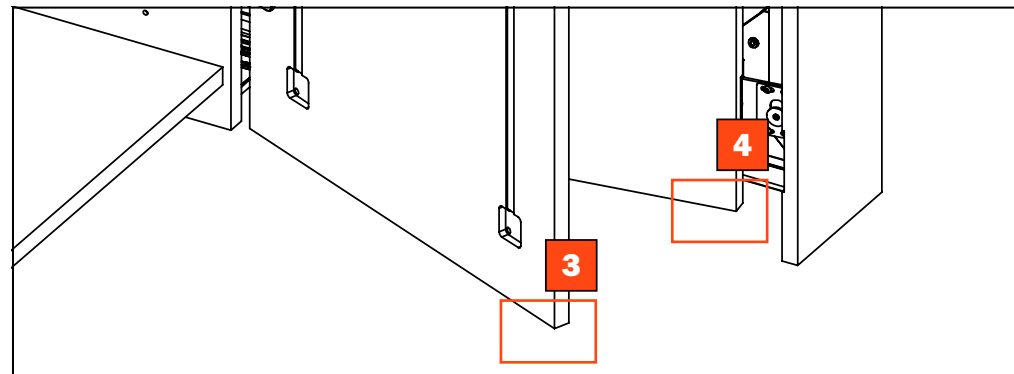
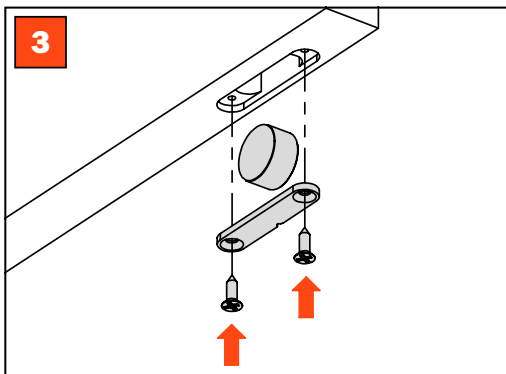
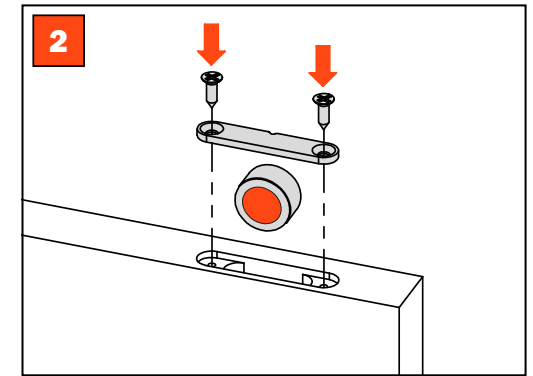
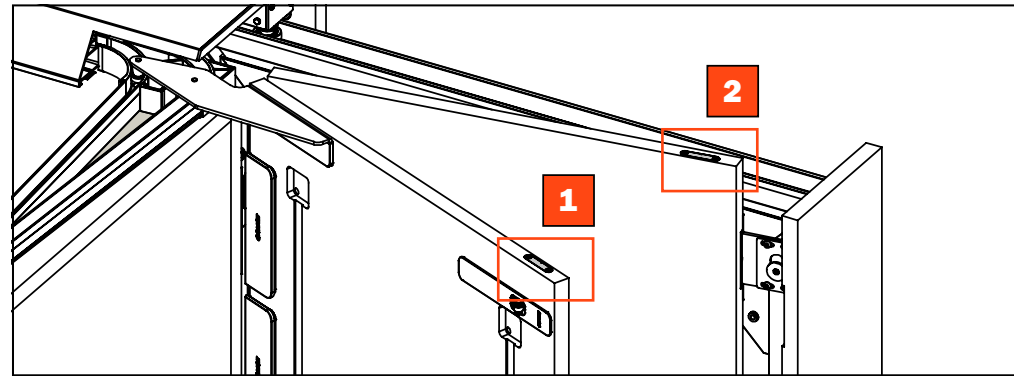
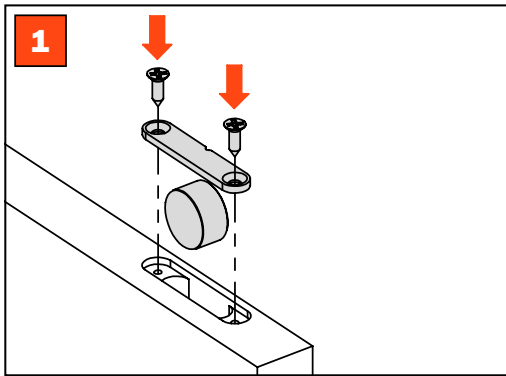
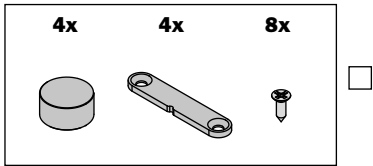
Contact name
Company
Date
Project
Notes

Exedra2 • Star



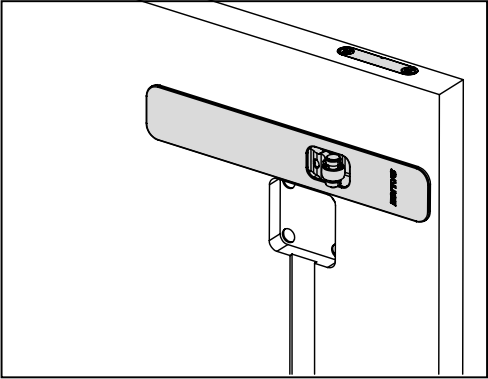
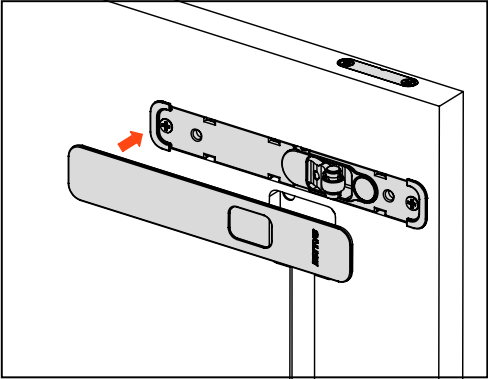
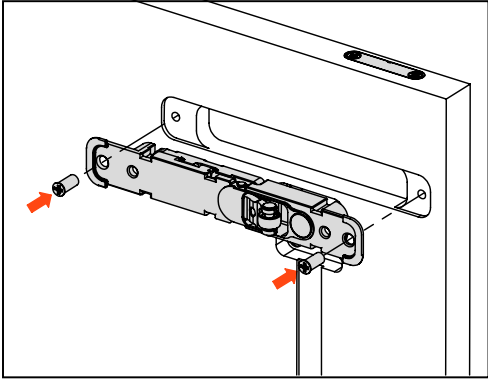
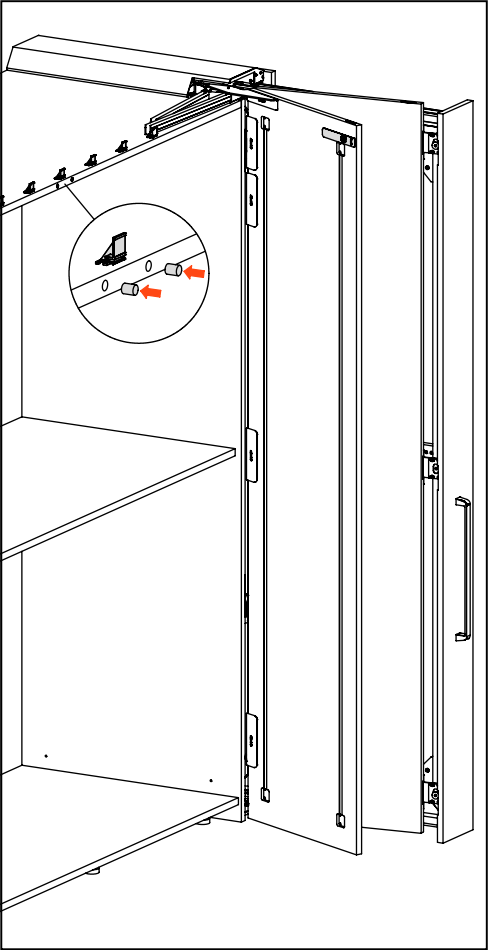
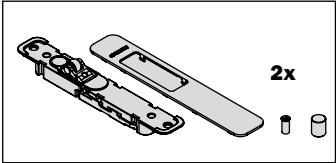
Magnets kit to protect doors.

It is required to maintain the minimum distance between the doors during the folding phase and to prevent accidental collisions between the doors in case of improper use of the mechanism.



Smove kit for internal door.

It is required to prevent any impact and/or contact between the internal door and the top of the cabinet during the closing movement.



Doors alignment kit.

It is required to align the doors in applications with a pair of Exedra2 (right + left).

