

EvoLift - Opening systems

Flap door



EvoLift - Opening systems - Flap door

Assembly instructions

Drilling pattern for wooden door.

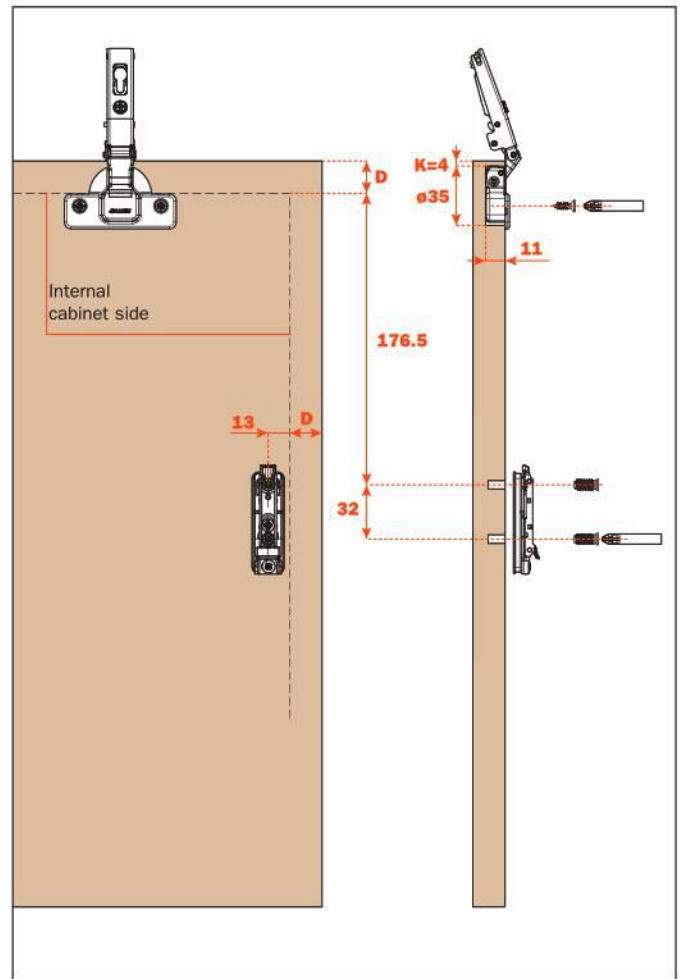
Hinges for doors with soft-close and handles
C2_6A99

Hinges for doors with Push opening
C2_PA99 (Push hinges) for a more decisive opening
C2_4A99 (unsprung hinges) for a softer opening

Available fixing systems for the hinge cup:

- A** = wood screw fixing, 48x6 mm drilling
- P** = wood screw fixing, 45x9.5 mm drilling
- U** = wood screw fixing, 52x5.5 mm drilling
- B** = dowel fixing, 48x6 mm drilling
- R** = dowel fixing, 45x9.5 mm drilling
- W** = dowel fixing, 52x5.5 mm drilling

D = sideways and upper overlay



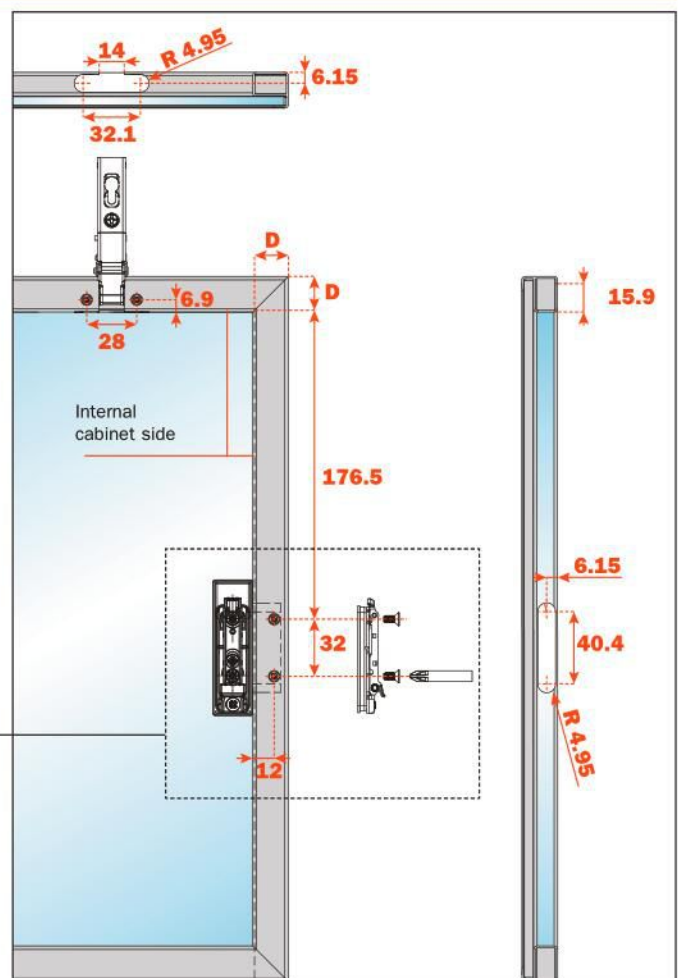
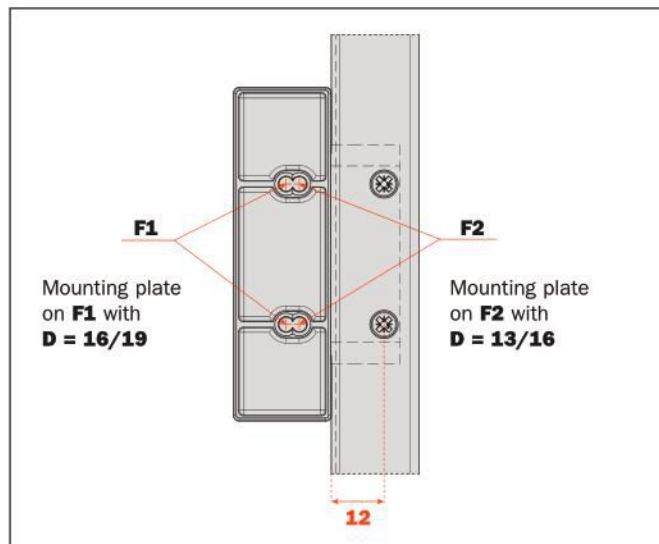
Drilling pattern for alu-framed door width min. 17 mm max. 24 mm.

For alu-framed door, fix the mounting plate to the appropriate adapter.

Hinges for doors with soft-close and handles
C2_6A99

Hinges for doors with Push opening
C2_PA99 (Push hinges) for a more decisive opening
C2_4A99 (unsprung hinges) for a softer opening

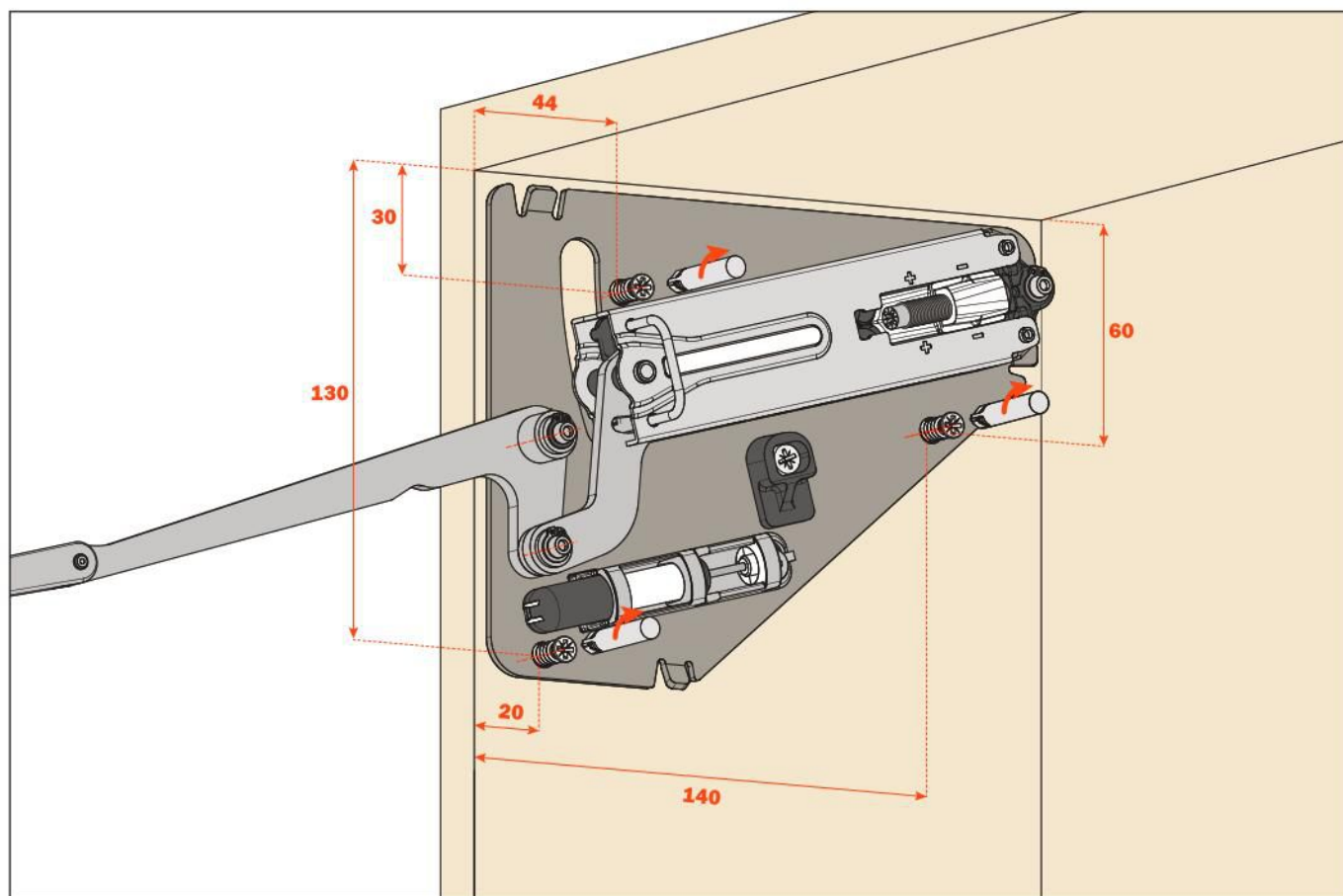
D = sideways and upper overlay



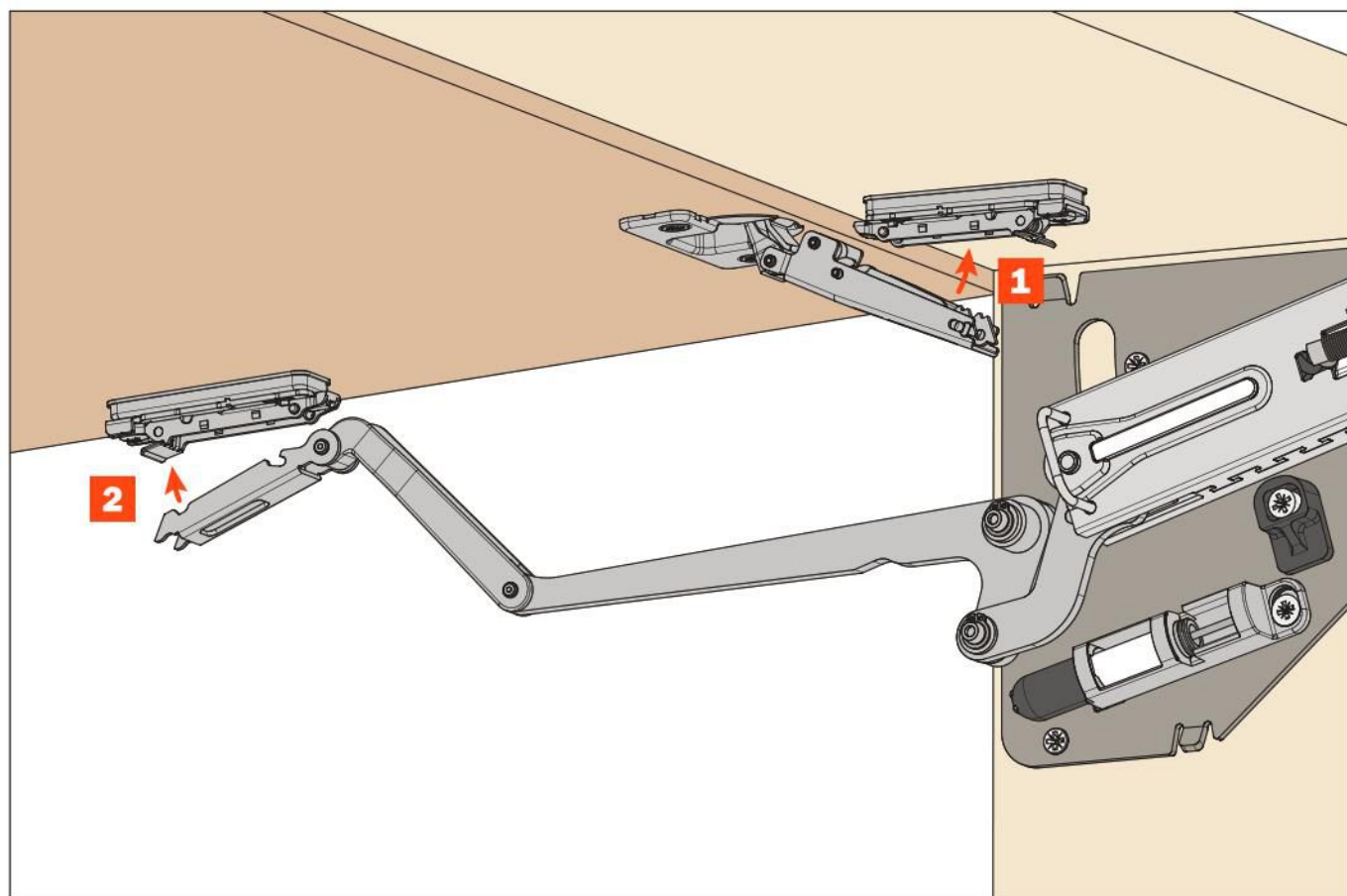


Fixing the system to the cabinet side.

Drilling depth 12 mm - Hole diameter \varnothing 5 mm

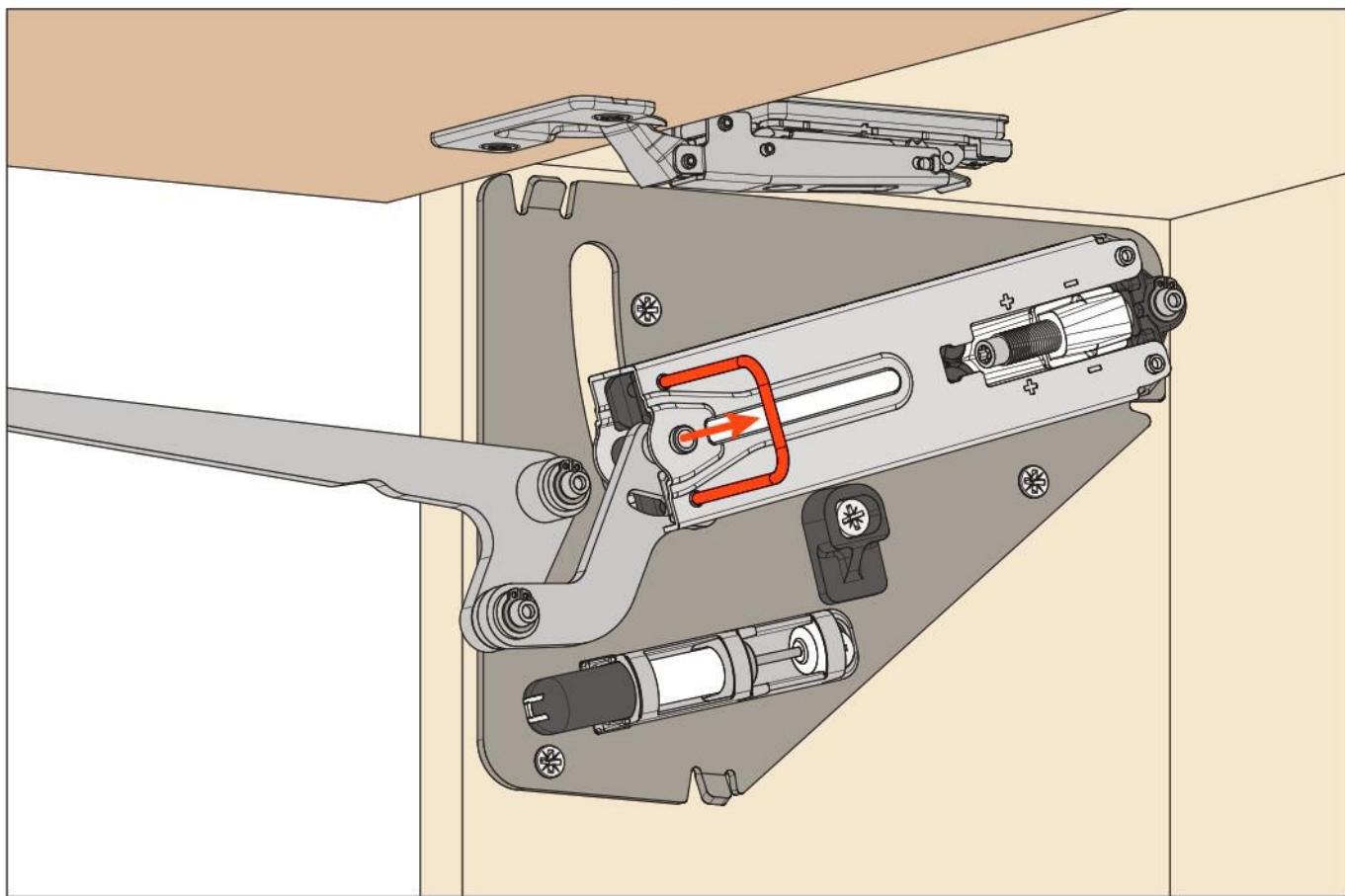


Fitting the door to the cabinet.



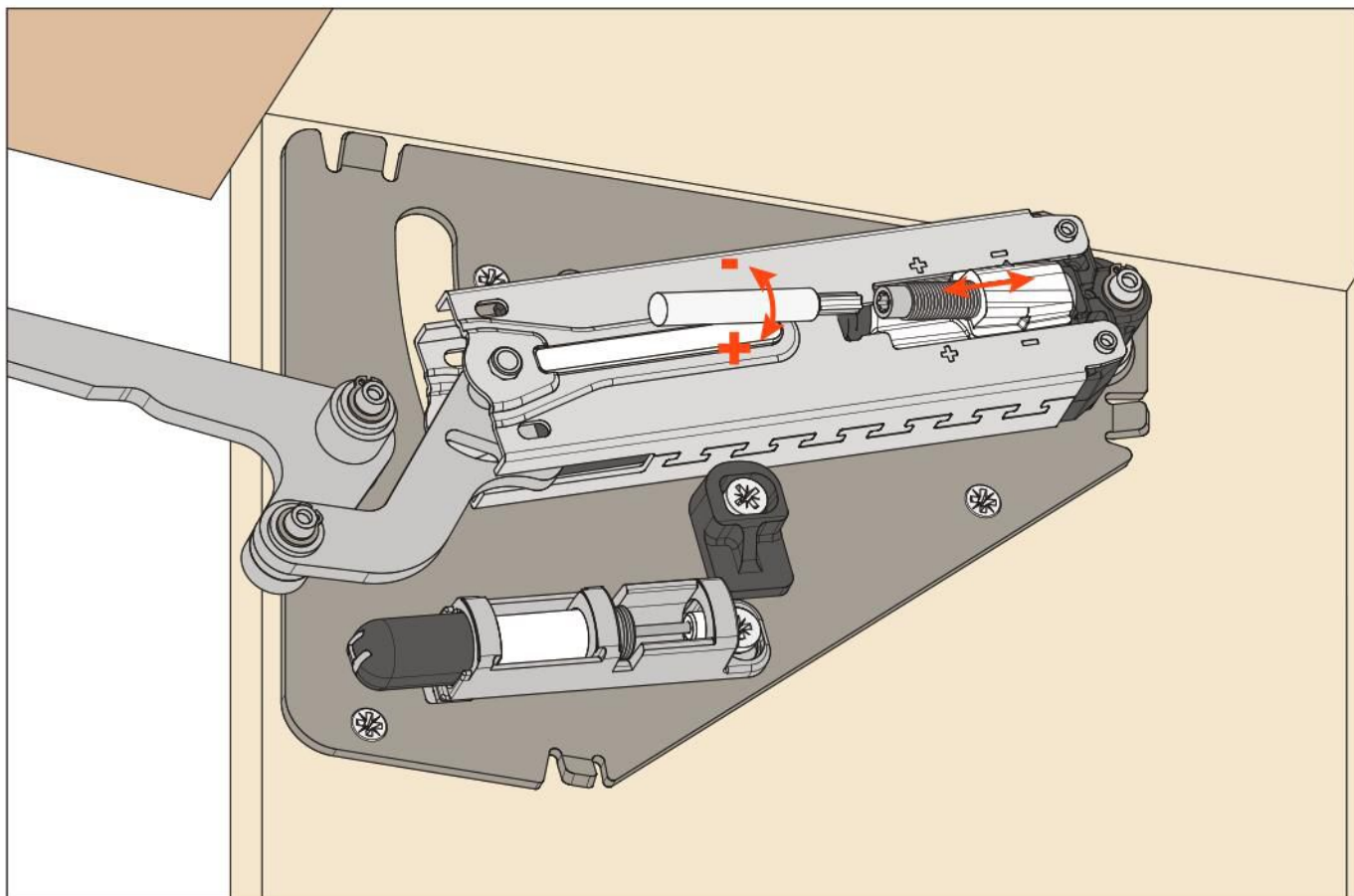
Withdraw the safety clip.

Lower the door slightly until the safety clip can be easily withdrawn.



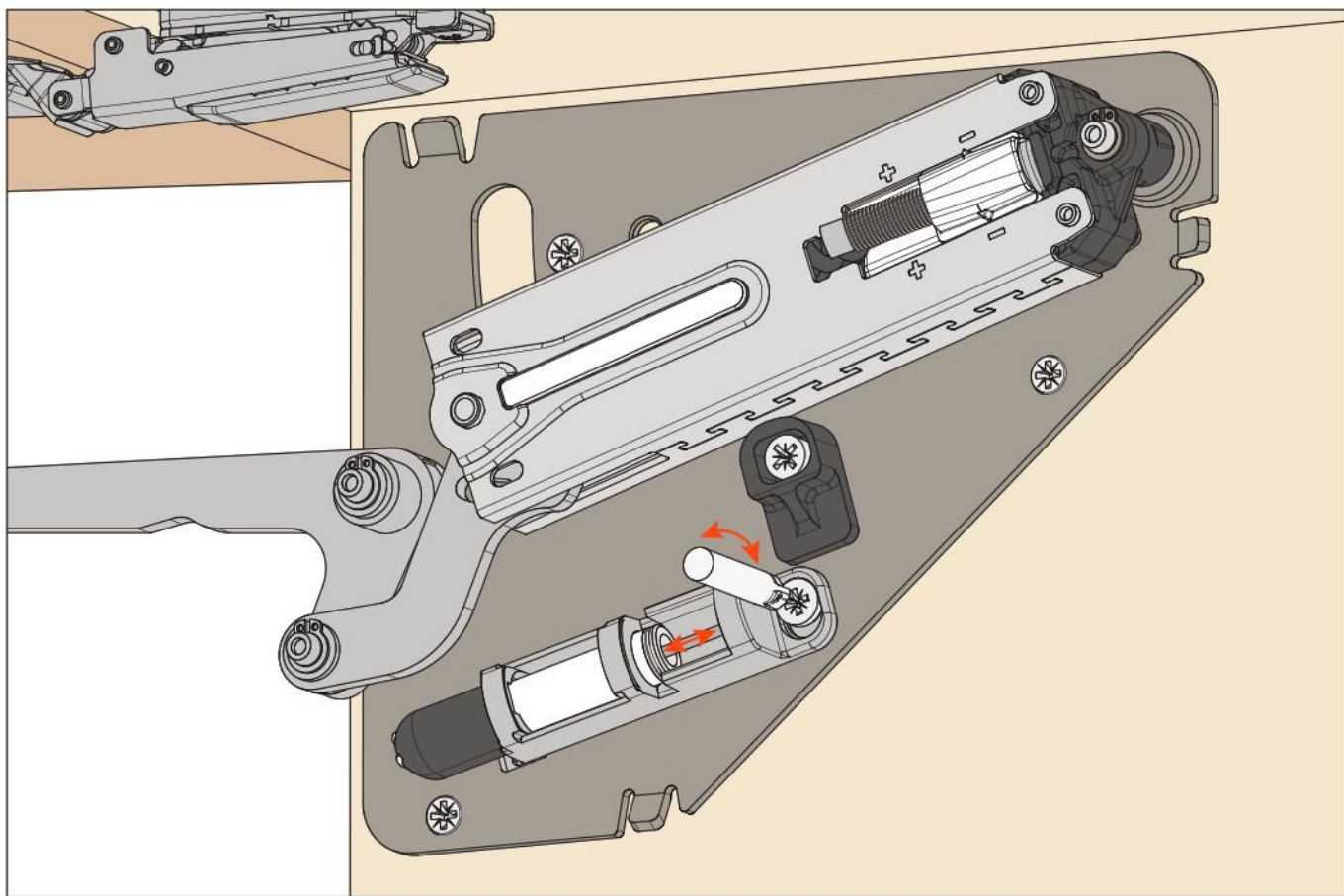
Adjustment of the system strength.

Use a Torx bit T20.

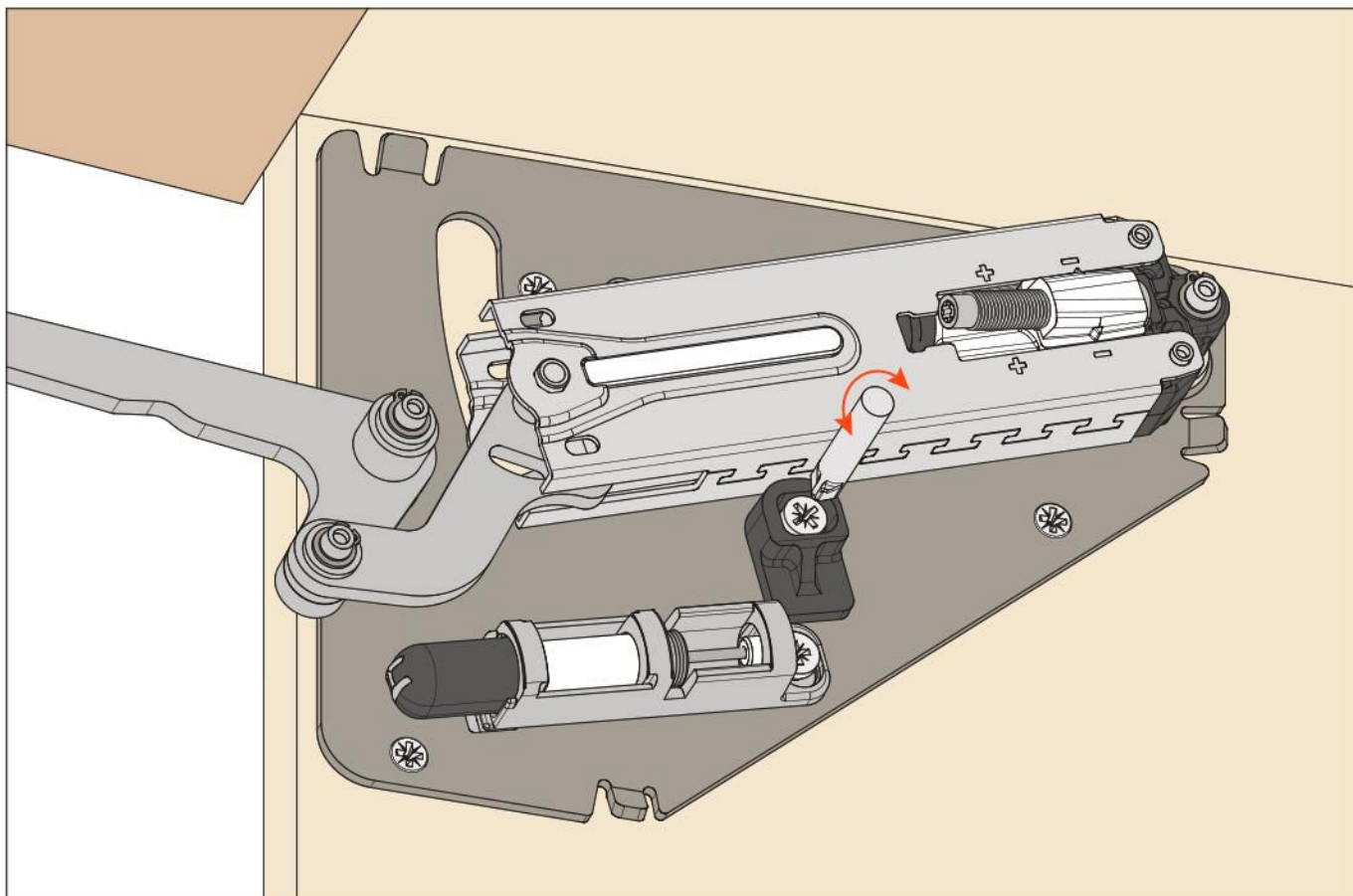




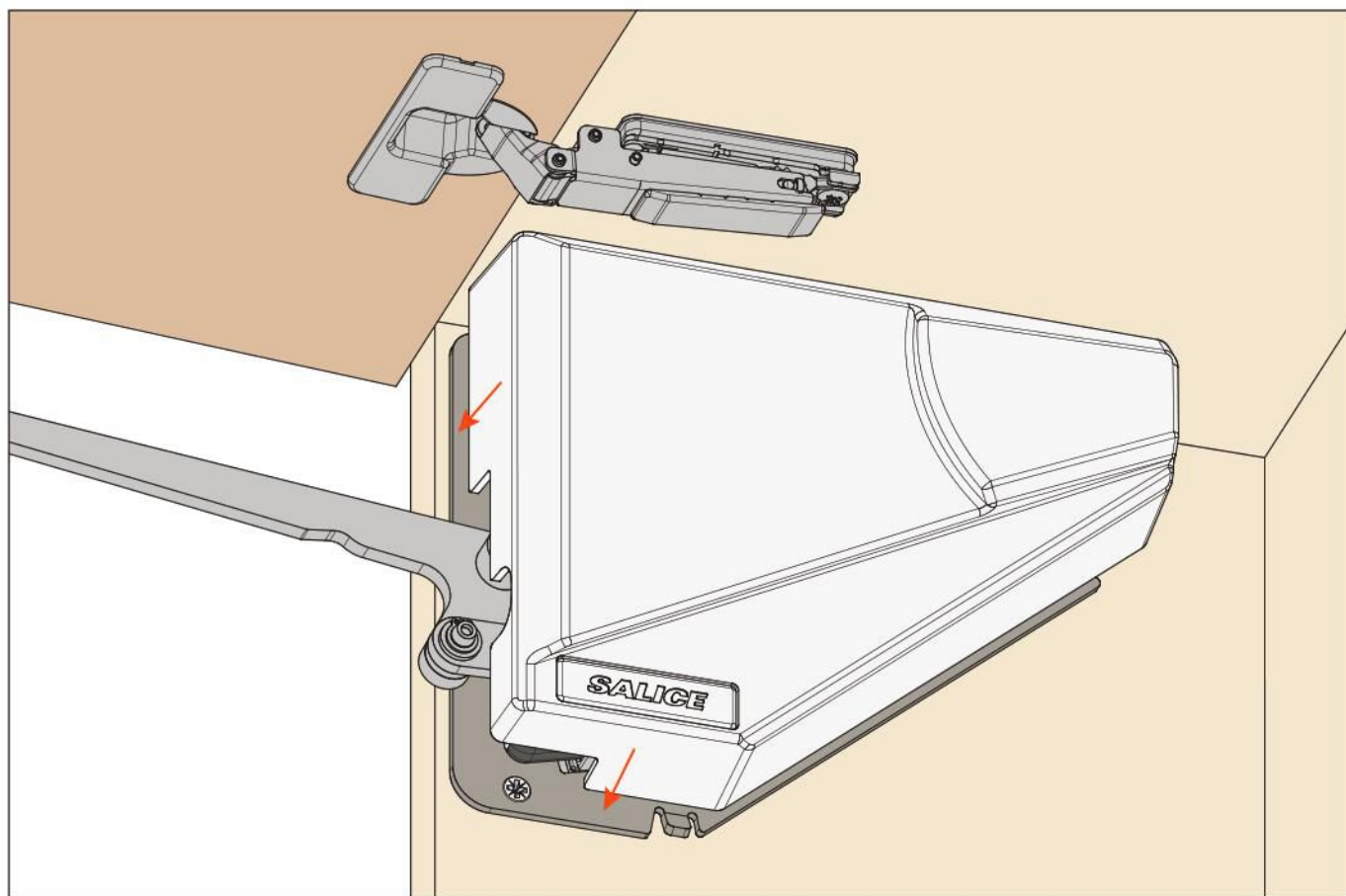
Adjustment of the decelerating effect.



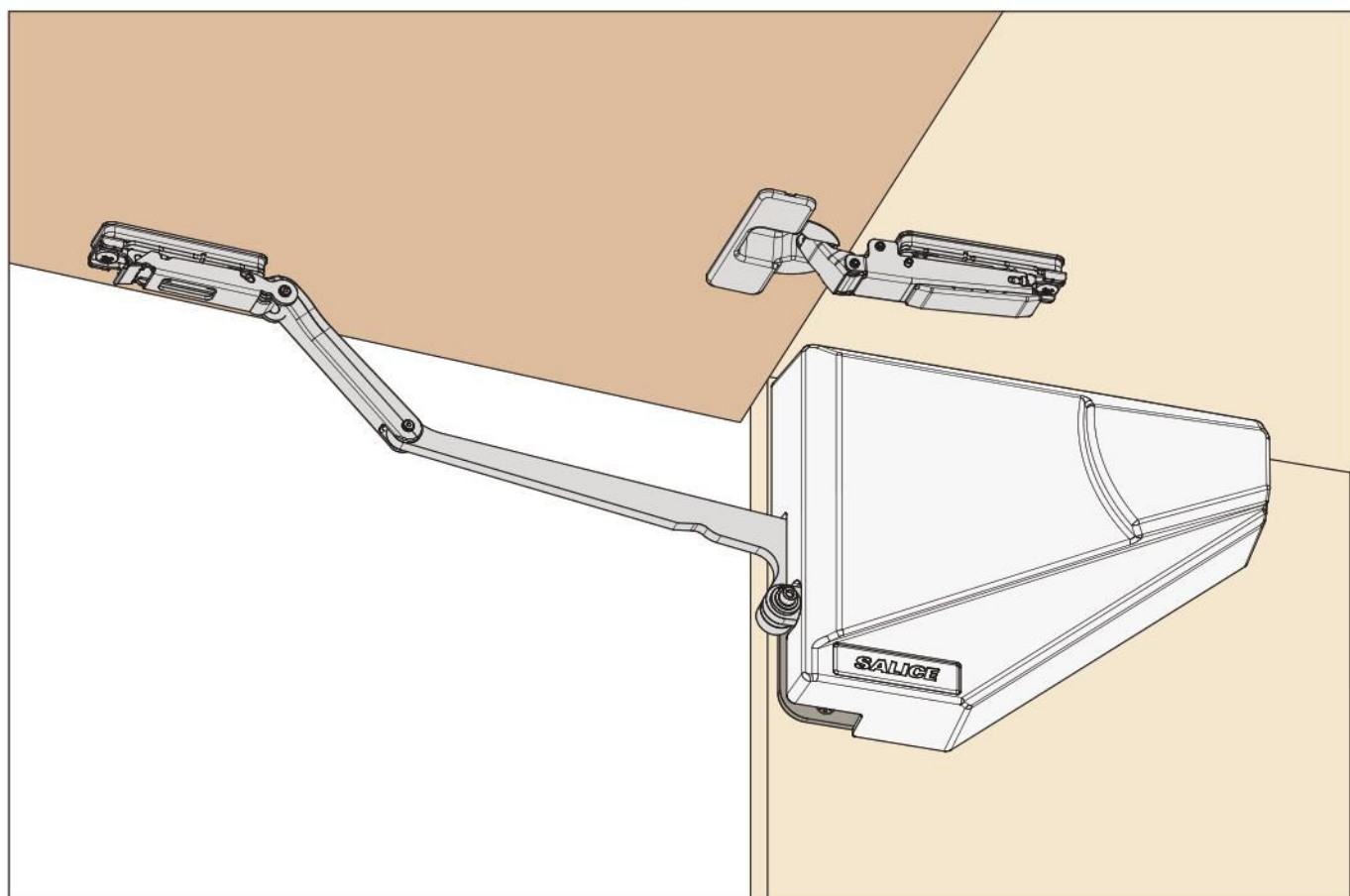
Adjustment of the opening angle of the door, by cam, from 80° to 92°.



Installing the cover.

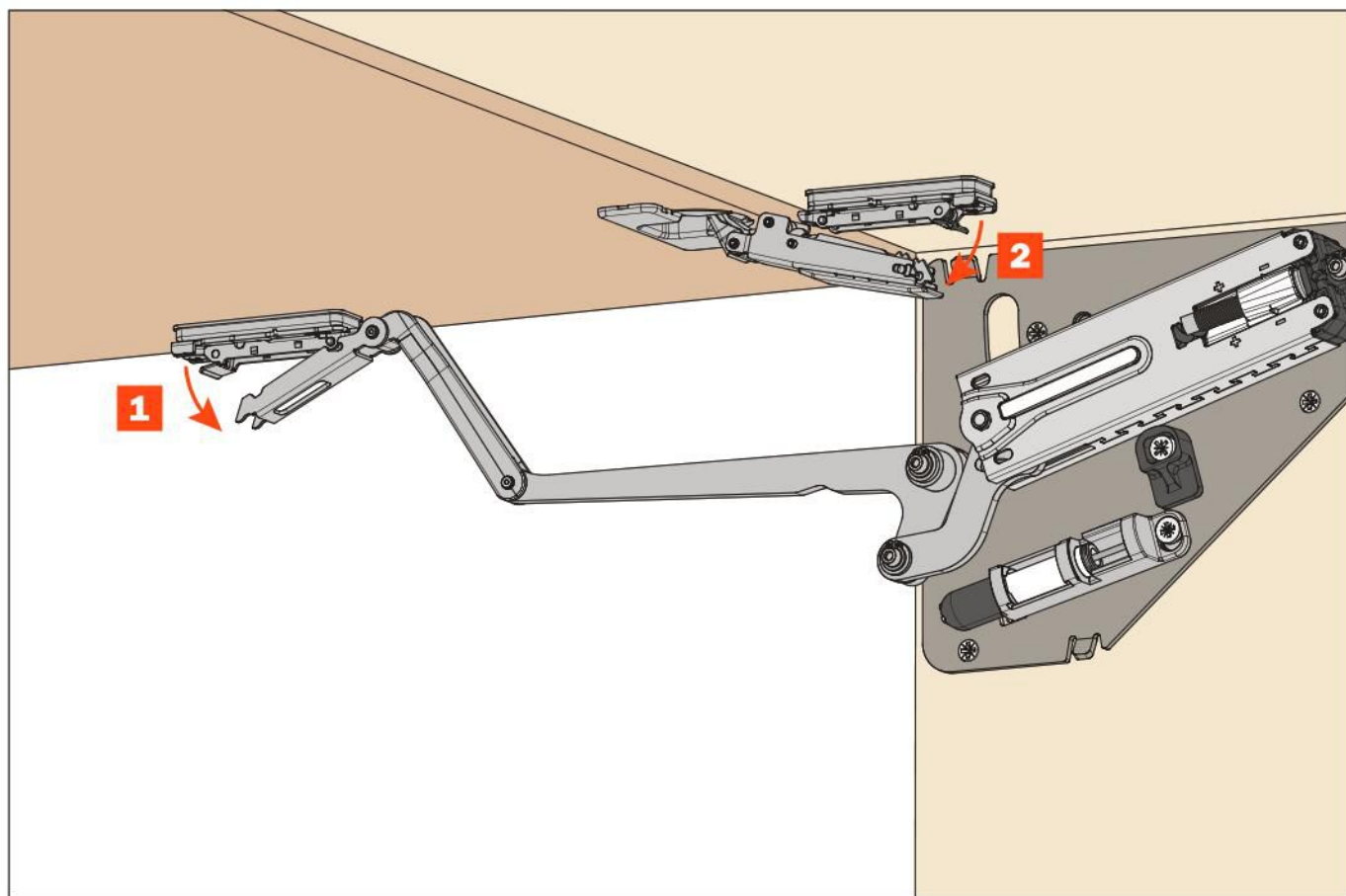


View of the mounted system.

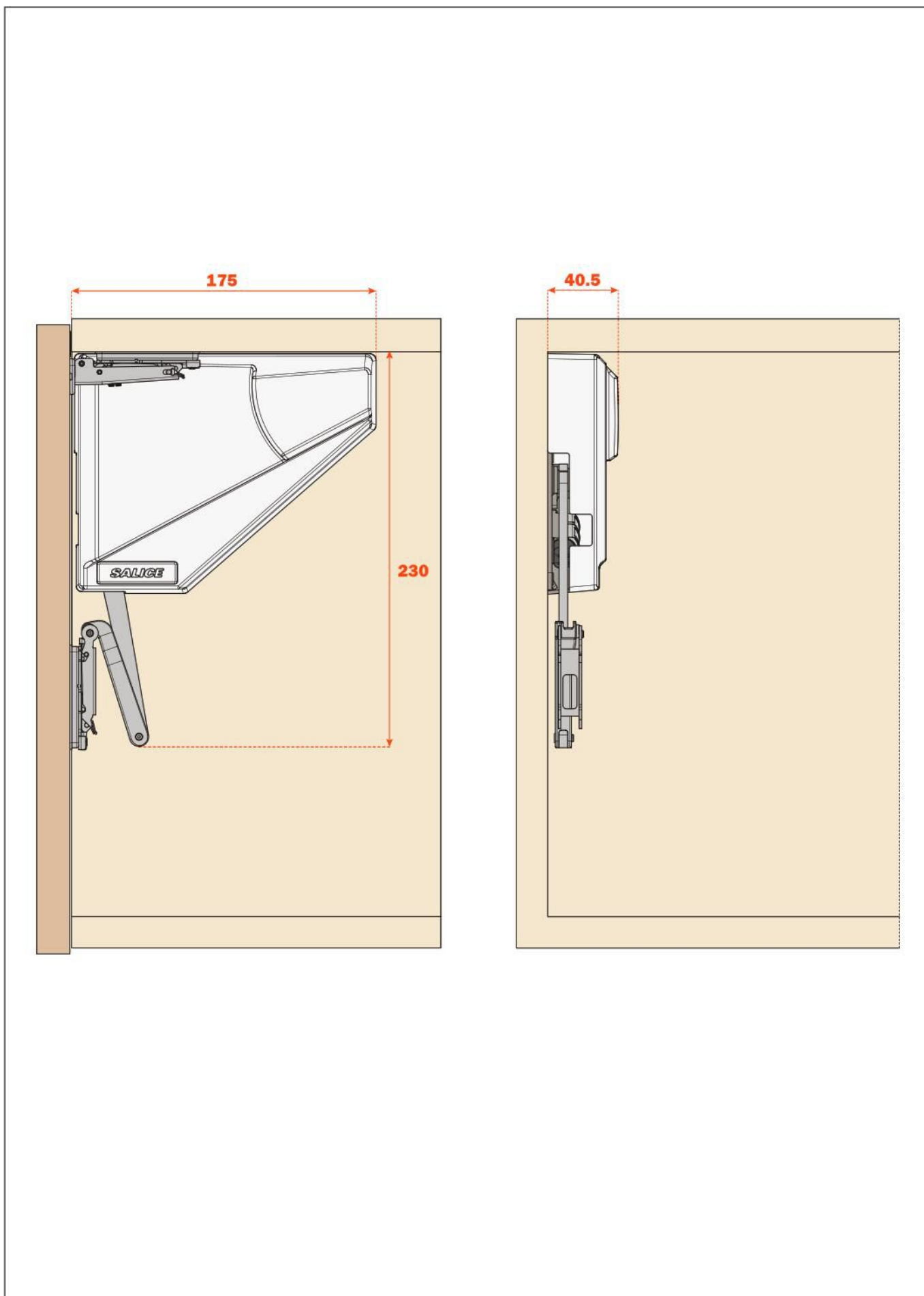




Removal of the door.



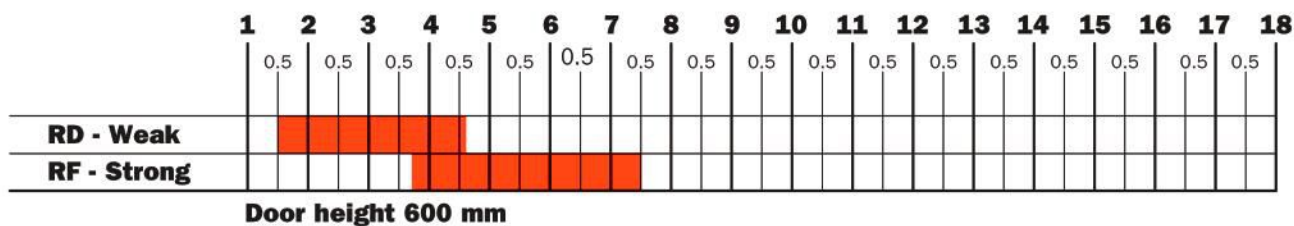
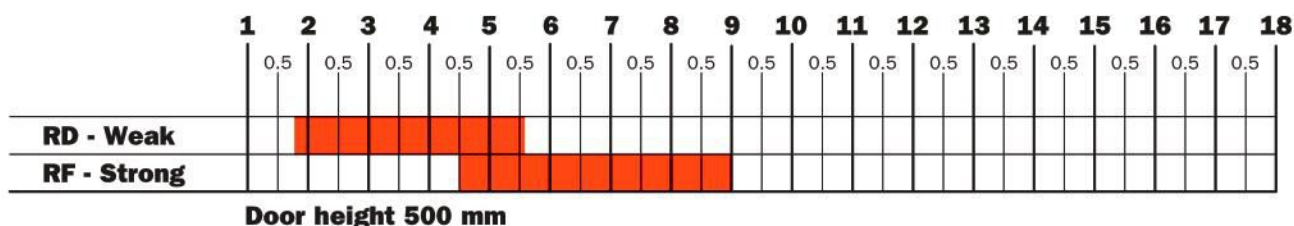
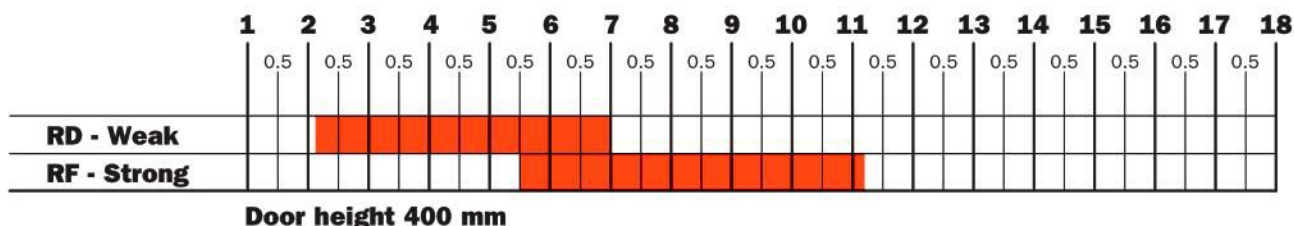
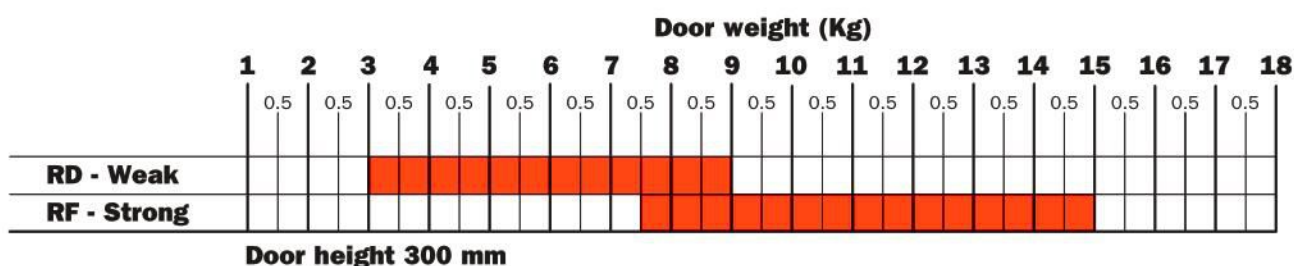
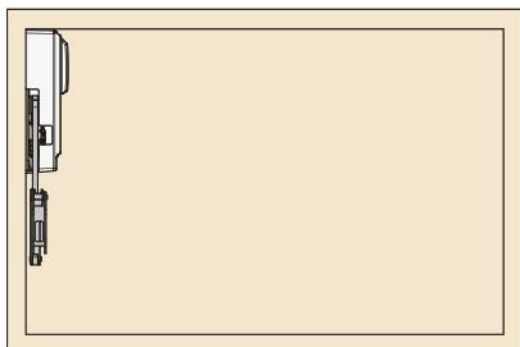
Dimensions of the system.



EvoLift - Opening systems - Flap door

Charts to select the strength of the system for a single-operation door opening

Charts to select the exact system suitable for the dimensions and weight of the door.
It is suggested that some assembly trials are made.
Our technical Assistance Service is at your disposal for any additional information.





Charts to select the exact system suitable for the dimensions and weight of the door.
It is suggested that some assembly trials are made.
Our technical Assistance Service is at your disposal for any additional information.

