

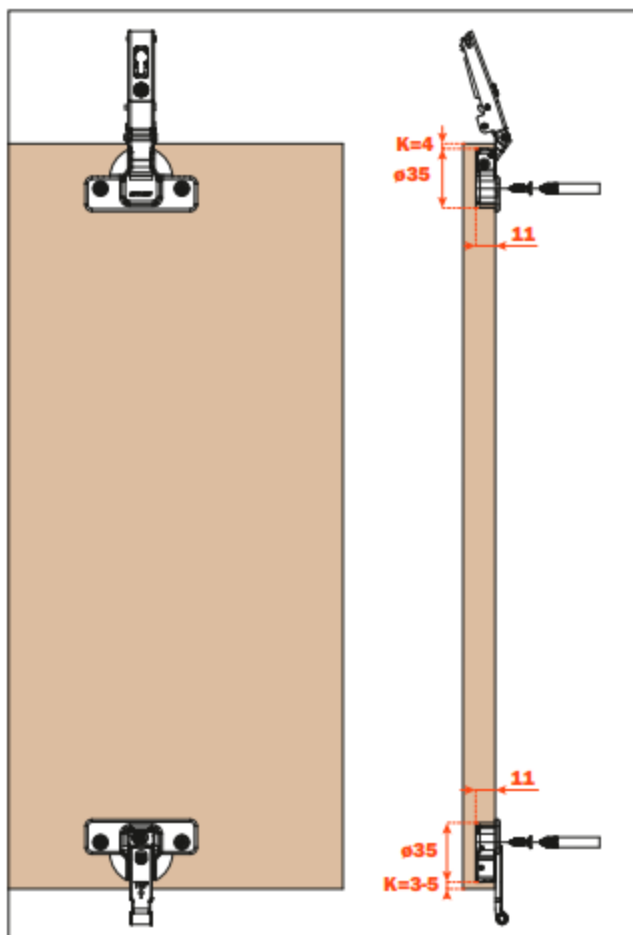
## **EvoLift - Opening systems** **Folding door**



**Drilling pattern for the upper wooden door.**

**Available fixing systems for the hinge cup:**

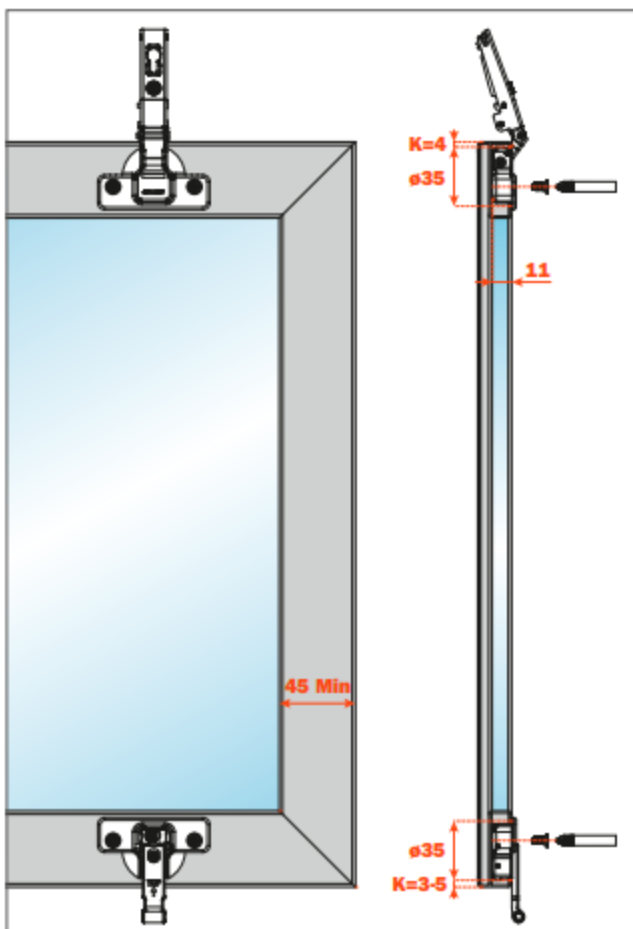
- A** = wood screw fixing, 48x6 mm drilling
- P** = wood screw fixing, 45x9.5 mm drilling
- U** = wood screw fixing, 52x5.5 mm drilling
- B** = dowel fixing, 48x6 mm drilling
- R** = dowel fixing, 45x9.5 mm drilling
- W** = dowel fixing, 52x5.5 mm drilling



**Drilling pattern for the upper alu-framed door width min. 45 mm.**

**Available fixing systems for the hinge cup:**

- A** = woodscrew fixing, 48x6 mm drilling
- P** = woodscrew fixing, 45x9.5 mm drilling
- U** = woodscrew fixing, 52x5.5 mm drilling





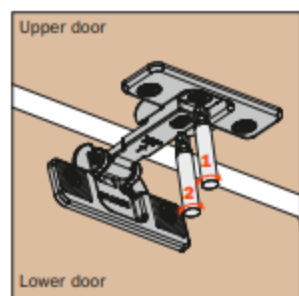
## Drilling pattern for the lower wooden door.

### Available fixing systems for the hinge cup:

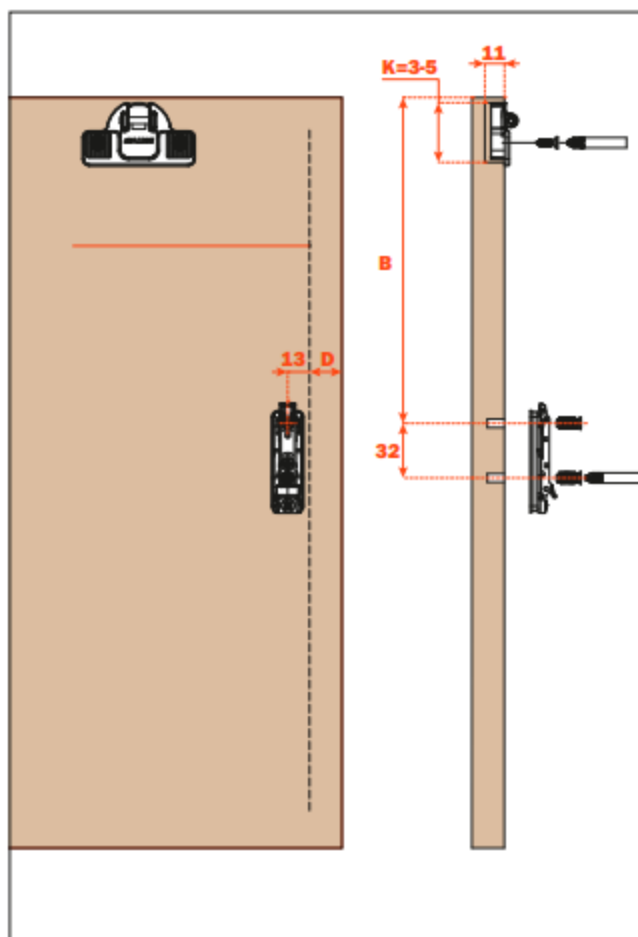
- A** = wood screw fixing, 48x6 mm drilling
- P** = wood screw fixing, 45x9.5 mm drilling
- U** = wood screw fixing, 52x5.5 mm drilling
- B** = dowel fixing, 48x6 mm drilling
- R** = dowel fixing, 45x9.5 mm drilling
- W** = dowel fixing, 52x5.5 mm drilling

**D** = sideways overlap

To determine the **B** value, use the table at page 32.



- 1 - Sideways adjustment  $\pm 1,5$  mm
- 2 - Height adjustment  $\pm 1,5$  mm



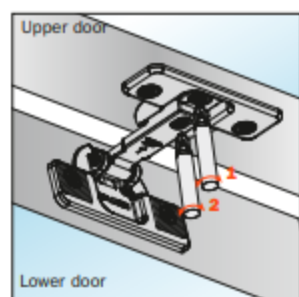
## Drilling pattern for the lower alu-framed door width min. 45 mm.

### Available fixing systems for the hinge cup:

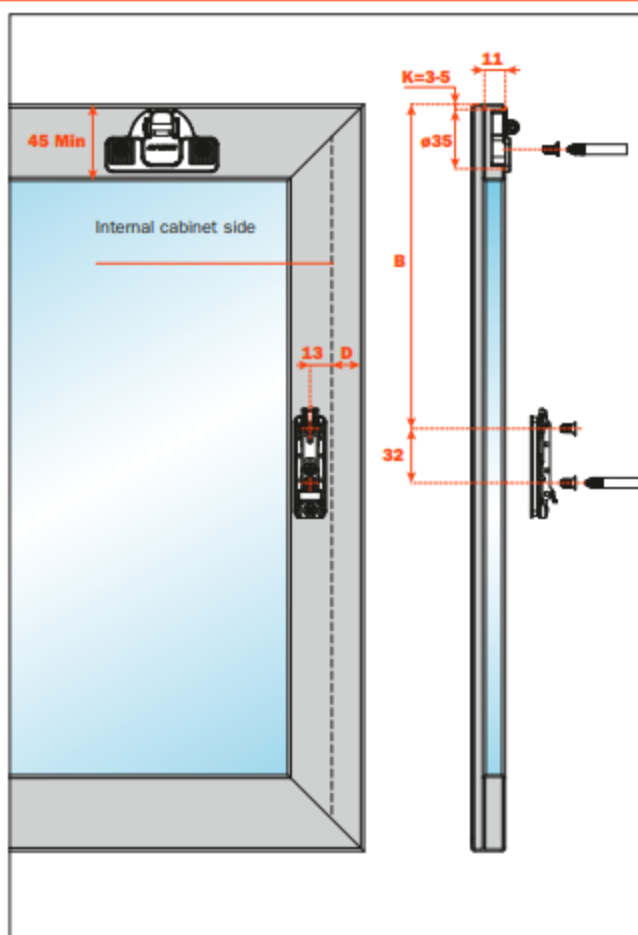
- A** = wood screw fixing, 48x6 mm drilling
- P** = wood screw fixing, 45x9.5 mm drilling
- U** = wood screw fixing, 52x5.5 mm drilling

**D** = sideways overlap

To determine the **B** value, use the table at page 32.

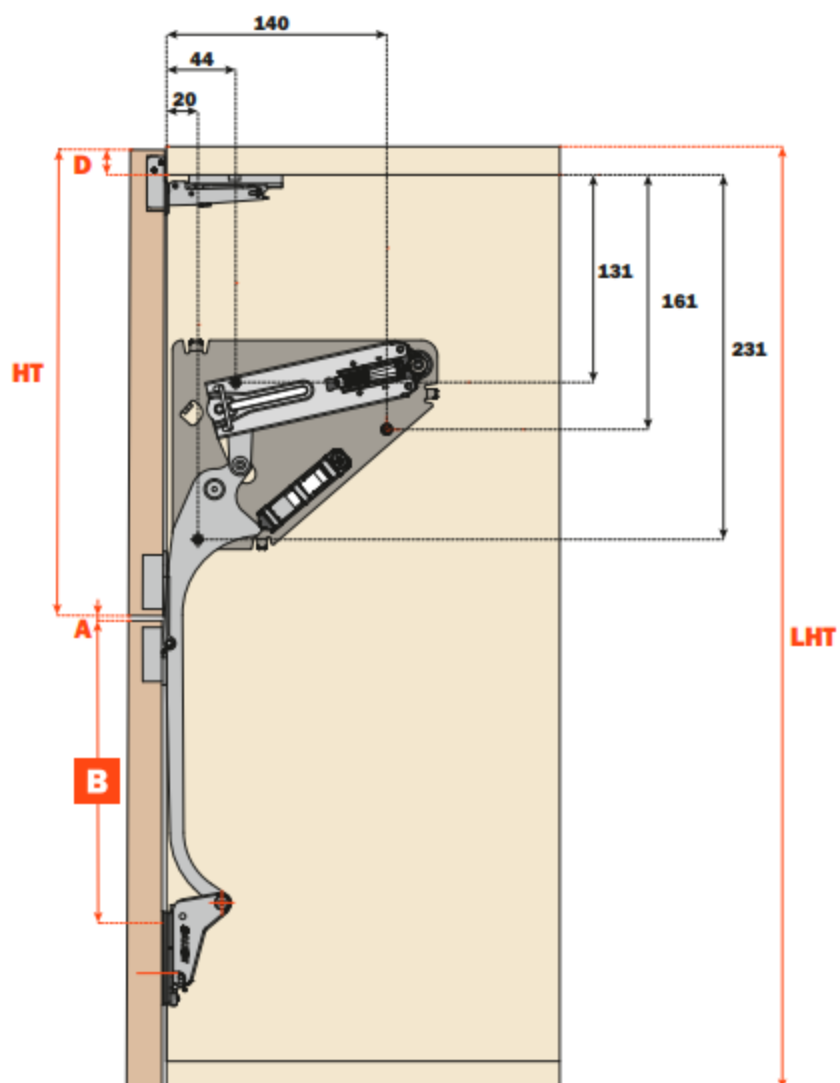


- 1 - Sideways adjustment
- 2 - Height adjustment



# EvoLift - Opening systems - Folding door

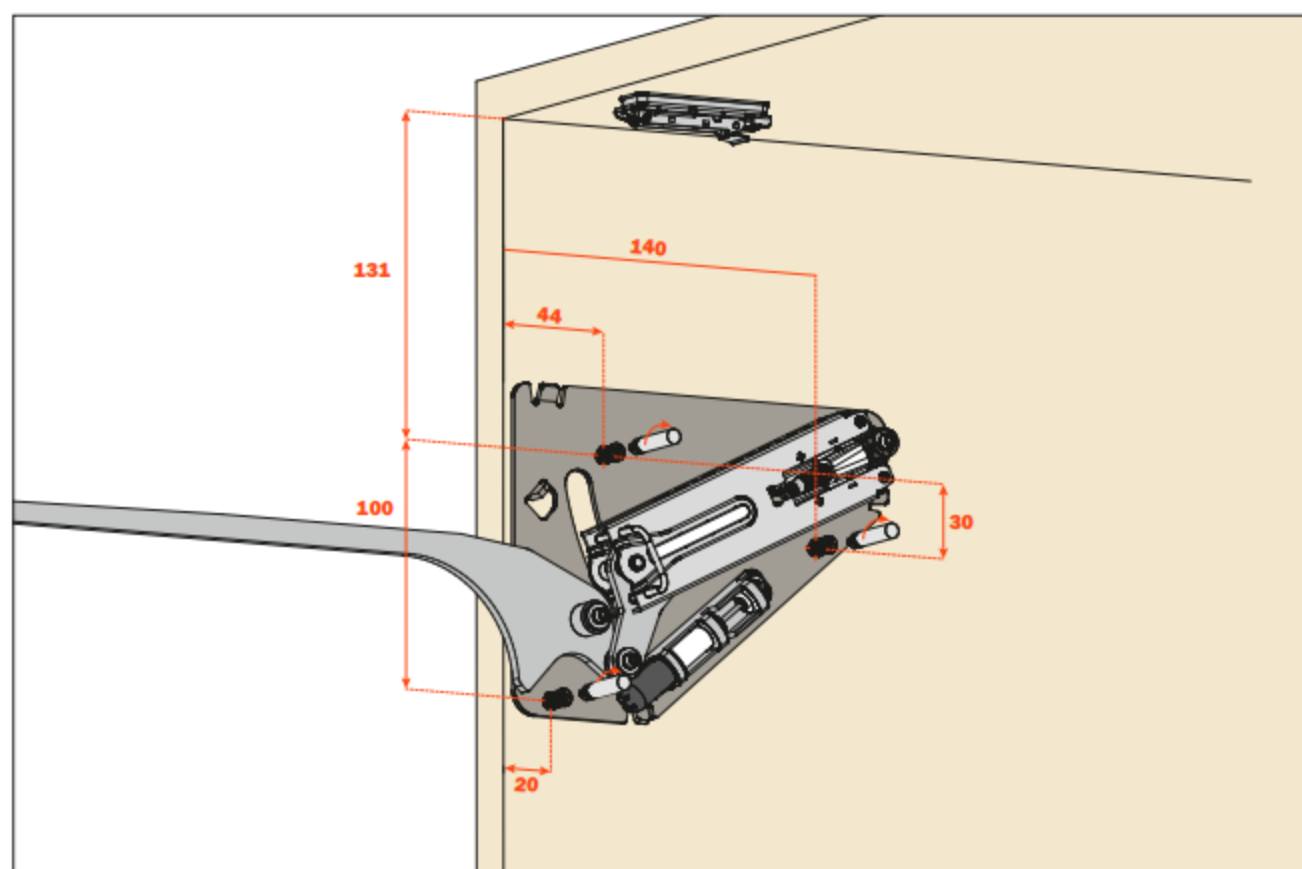
## Assembly instructions



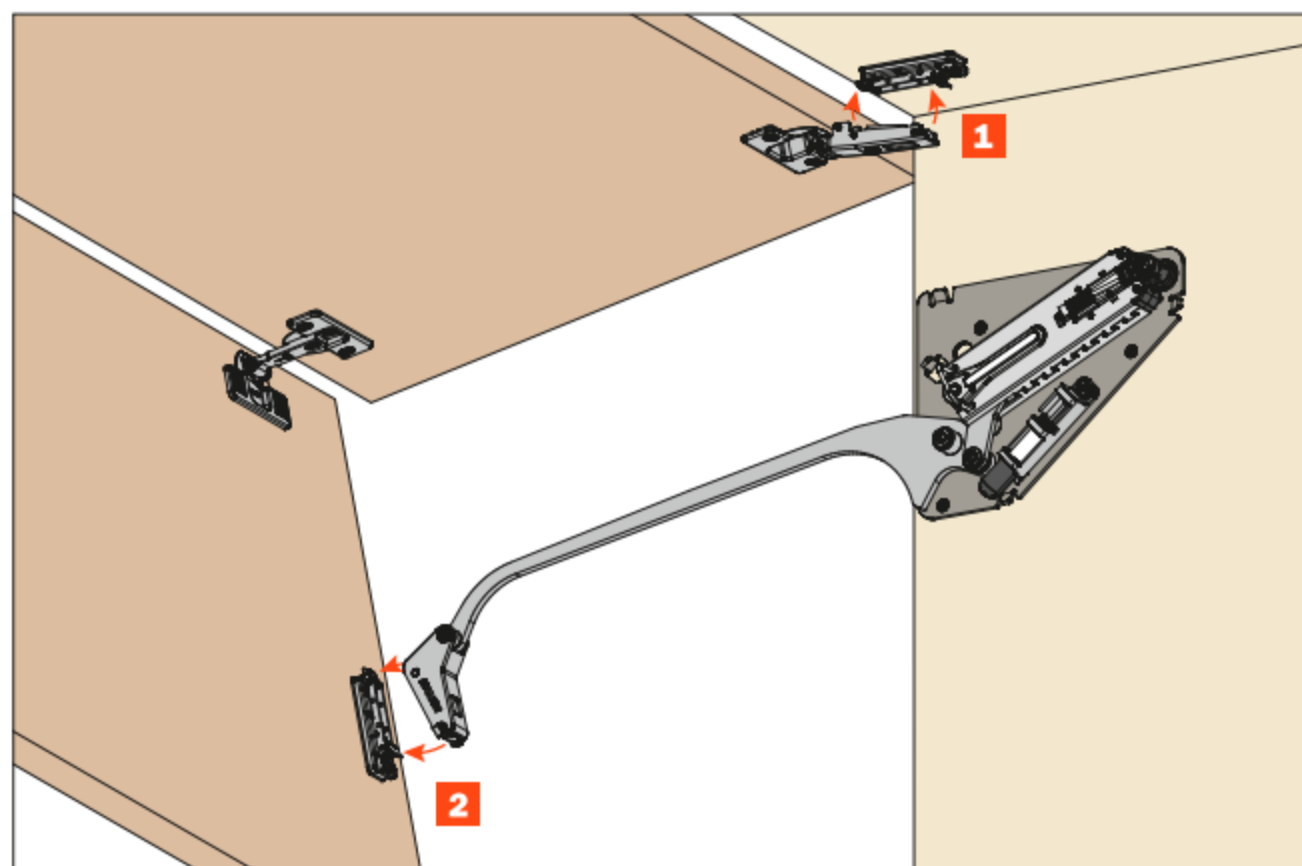
Arm length	LHT Cabinet height	Formula to determine the B value
600	570 + 630	$475 + D - HT - A$
660	631 + 690	$505 + D - HT - A$
720	691 + 750	$535 + D - HT - A$
780	751 + 810	$565 + D - HT - A$
910	881 + 940	$634 + D - HT - A$



### Fixing the system to the cabinet side.



### Fitting the door to the cabinet.



## EvoLift - Opening systems - Folding door

### Charts to select the strength of the system for a single-operation door opening

Charts to select the exact system suitable for the dimensions and weight of the door.

The indicated weight capacities refer to a pair of arms.

For doors of small weight and dimensions, it is possible to use one system only, right or left version.

It is suggested that some assembly trials are made.

Our technical Assistance Service is at your disposal for any additional information.

